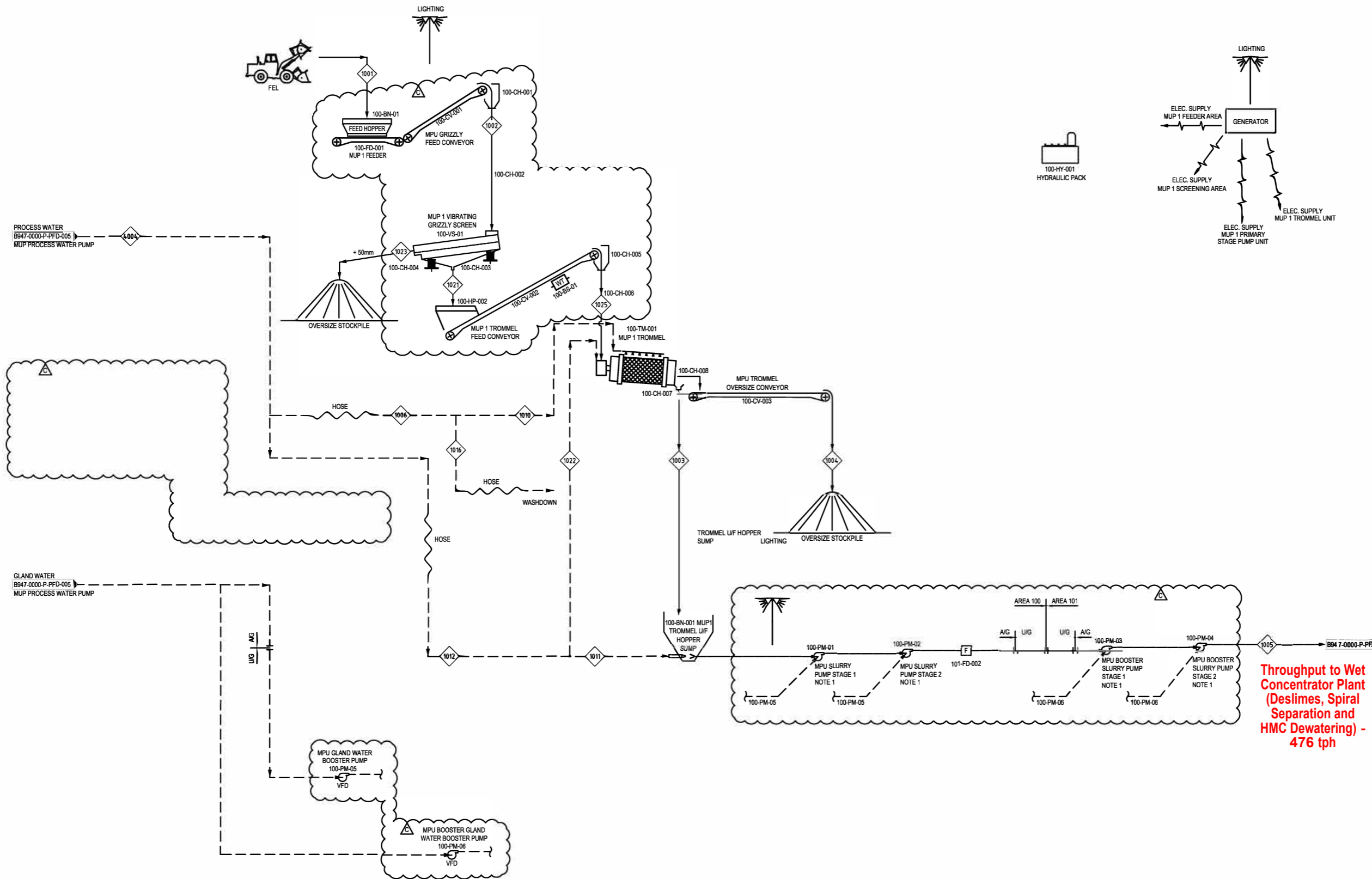


Raw Feed, Screening and Slurry Feed



- LEGEND - PROCESS:**
- MATERIAL FLOW
 - - - PROCESS WATER
 - - - PROCESS BIN OF & DIRTY WATER
 - - - SUB-AREA BOUNDARY
 - FM [F] FLOW METER
 - DM [D] DENSITY METER
 - SA [S] SAMPLER
 - WT [WT] WEIGHT-O-METER
 - IW [IW] IMPACT WEIGHER
 - DI [DI] DISTRIBUTOR
 - [X] VALVE (REFER TO P&ID FOR DETAILS)
 - O/F OVERFLOW
 - O/S OVERSIZE
 - U/F UNDERFLOW
 - U/S UNDERSIZE
 - O/F OVERFLOW
 - HS HIGHLY SUSCEPTIBLE
 - M MAGNETIC
 - MID MIDDINGS
 - NM NON-MAGNETIC
 - [TX] TRANSFORMER
 - [MCC] MOTOR CONTROL CENTRE
 - [VFD] VARIABLE FREQUENCY DRIVE
 - [XXX] STREAM NUMBERS
 - - - FUTURE

NOTES:
1. MECHANICAL GLAND SEALS USED.

Throughput to Wet Concentrator Plant (Deslimes, Spiral Separation and HMC Dewatering) - 476 tph

DRAWING No.	REFERENCE DRAWING TITLE	No	BY	DATE	REVISION DETAILS	CHKD	APPR	No	BY	DATE	REVISION DETAILS	CHKD	APPR	PROJ	APPR

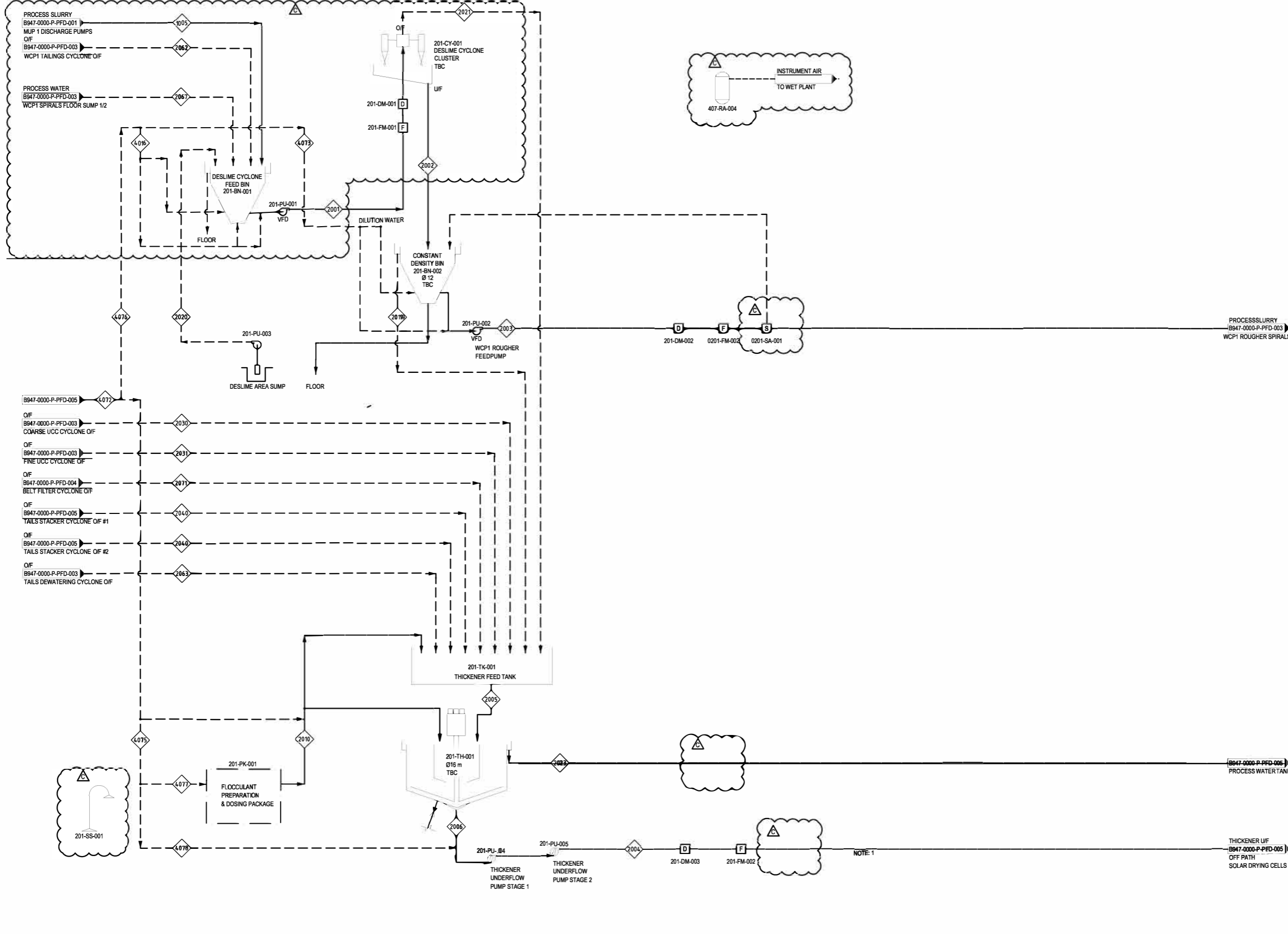
CSi MINING SERVICES
A MINERAL RESOURCES COMPANY
1 SLEAT ROAD, APPLECROSS | TELEPHONE (08) 9329 3400
WESTERN AUSTRALIA, 6153 | FACSIMILE (08) 9329 3401

Australian Garnet
PYT LTD

CLIENT: AUSTRALIAN GARNET PTY. LTD.
TITLE: LUCKY BAY GARNET PROJECT
PROCESS FLOW DIAGRAM
MINING UNIT PLANT (MUP) No. 1 & PIPELINE

SCALE	NTS	SIZE	A1
ALL DIMENSIONS IN MILLIMETRES			
REV No.	A	B	C
DRAWING No.	B947-0000-P-PFD-001_C		

Wet Processing - Deslimes Circuit



- LEGEND - PROCESS:**
- MATERIALFLOW
 - - - PROCESSWATER
 - - - PROCESS BIN OF & DIRTY WATER
 - - - SUB-AREA BOUNDARY
 - FM [F] FLOW METER
 - DM [D] DENSITY METER
 - SA [S] SAMPLER
 - WT [WT] WEIGHT-O-METER
 - IW [IW] IMPACT WEIGHER
 - DI [DI] DISTRIBUTOR
 - [V] VALVE (REFER TO P&ID FOR DETAILS)
 - OF OVERFLOW
 - OS OVERSIZE
 - UF UNDERFLOW
 - US UNDERSIZE
 - OF OVERFLOW
 - HS HIGHLY SUSCEPTIBLE
 - M MAGNETIC
 - MID MIDDINGS
 - NM NON-MAGNETIC
 - [TX] TRANSFORMER
 - [MCC] MOTOR CONTROL CENTRE
 - [VFD] VARIABLE FREQUENCY DRIVE
 - [XXX] STREAM NUMBERS
 - [] FUTURE
 - [] SAFETY SHOWER

NOTES:
1. BOOSTER PUMP REQUIREMENT T.B.C.

DRAWING No.	REFERENCE DRAWING TITLE	No	BY	DATE	REVISION DETAILS	CHKD	APPR	No	BY	DATE	REVISION DETAILS	CHKD	APPR	PROJ APPR

CSi MINING SERVICES
A MINERAL RESOURCES COMPANY

1 SLEAT ROAD, APPLECROSS TELEPHONE (08) 9329 3400
WESTERN AUSTRALIA, 6153 FACSIMILE (08) 9329 3401

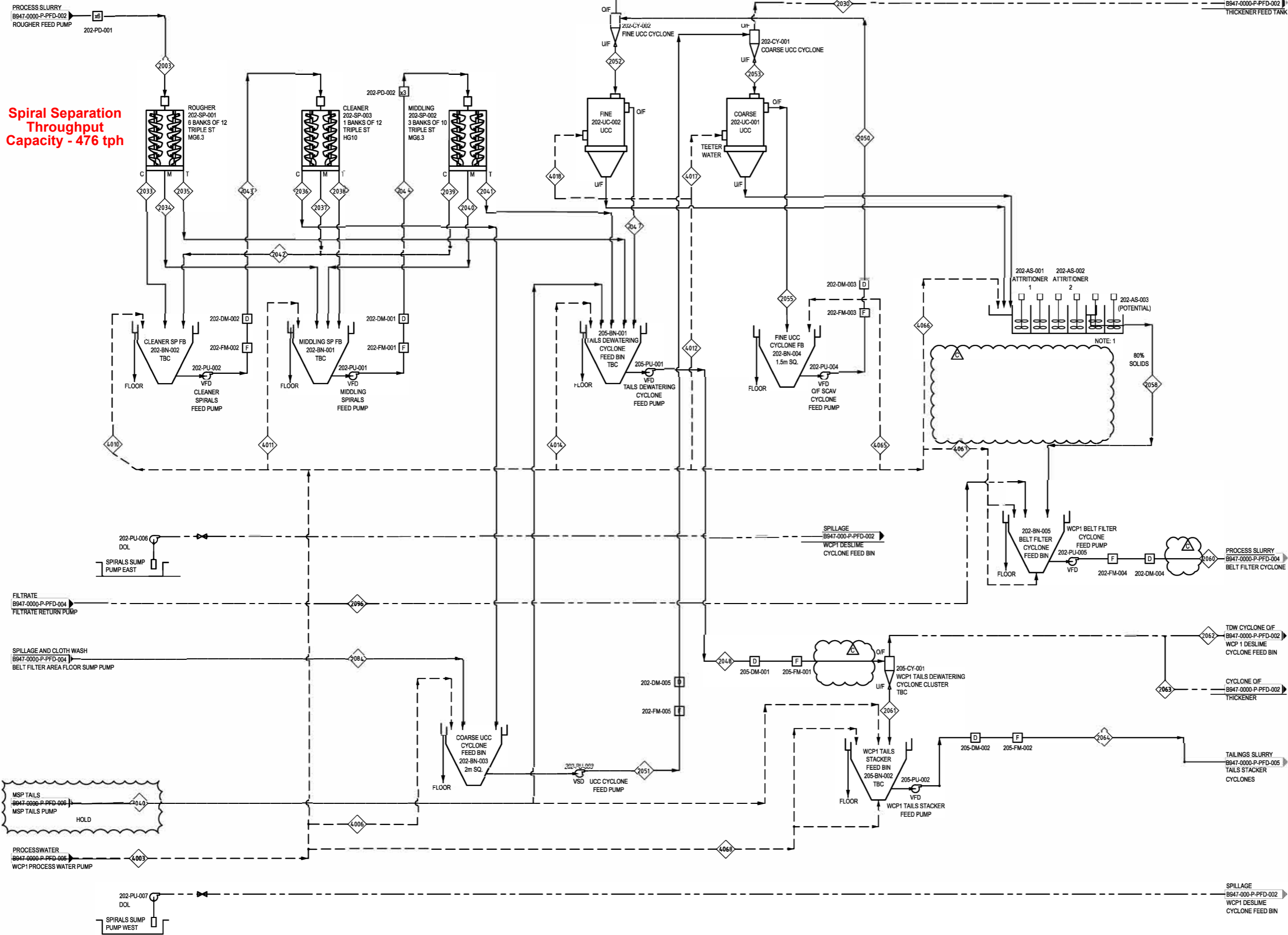


CLIENT: AUSTRALIAN GARNET PTY. LTD.

TITLE: LUCKY BAY GARNET PROJECT
PROCESS FLOW DIAGRAM
DESLIMES & THICKENING

SCALE: NTS	SIZE: A1
ALL DIMENSIONS IN MILLIMETRES	
REV No: A B C	
DRAWING No: B947-0000-P-PFD-002_C	

Wet Processing - Spiral Separation Circuit



Spiral Separation Throughput Capacity - 476 tph

LEGEND - PROCESS:

- MATERIAL FLOW
- - - PROCESS WATER
- - - PROCESS BIN O/F & DIRTY WATER
- - - SUB-AREA BOUNDARY
- FM [F] FLOW METER
- DM [D] DENSITY METER
- SA [S] SAMPLER
- WT [WT] WEIGHT-O-METER
- IW [IW] IMPACT WEIGHER
- DI [DI] DISTRIBUTOR VALVE (REFER TO P&ID FOR DETAILS)
- O/F OVERFLOW
- O/S OVERSIZE
- U/F UNDERFLOW
- U/S UNDERSIZE
- O/F OVERFLOW
- HS HIGHLY SUSCEPTIBLE
- M MAGNETIC
- MID MIDDINGS
- NM NON-MAGNETIC
- [TX] TRANSFORMER
- [MCC] MOTOR CONTROL CENTRE
- [VFD] VARIABLE FREQUENCY DRIVE
- [XXX] STREAM NUMBERS
- [---] FUTURE

- NOTES:**
- ALLOW FOR FUTURE INSTALLATION OF 202-AS-003 AND 204-PK-002.
 - ALL PROCESS BIN DUMP OUTLETS TO GRADE SLAB FALLS TO SUMPS.
- HOLD:**
- MSP TAILS ON HOLD.
 - WATER BALANCE T.B.C.

DRAWING No.	REFERENCE DRAWING TITLE	No	BY	DATE	REVISION DETAILS	CHKD	APPR	No	BY	DATE	REVISION DETAILS	CHKD	APPR	PROJ APPR

CSi MINING SERVICES
A MINERAL RESOURCES COMPANY

1 SLEAT ROAD, APPLECROSS TELEPHONE (08) 9329 3400
WESTERN AUSTRALIA, 6153 FACSIMILE (08) 9329 3401

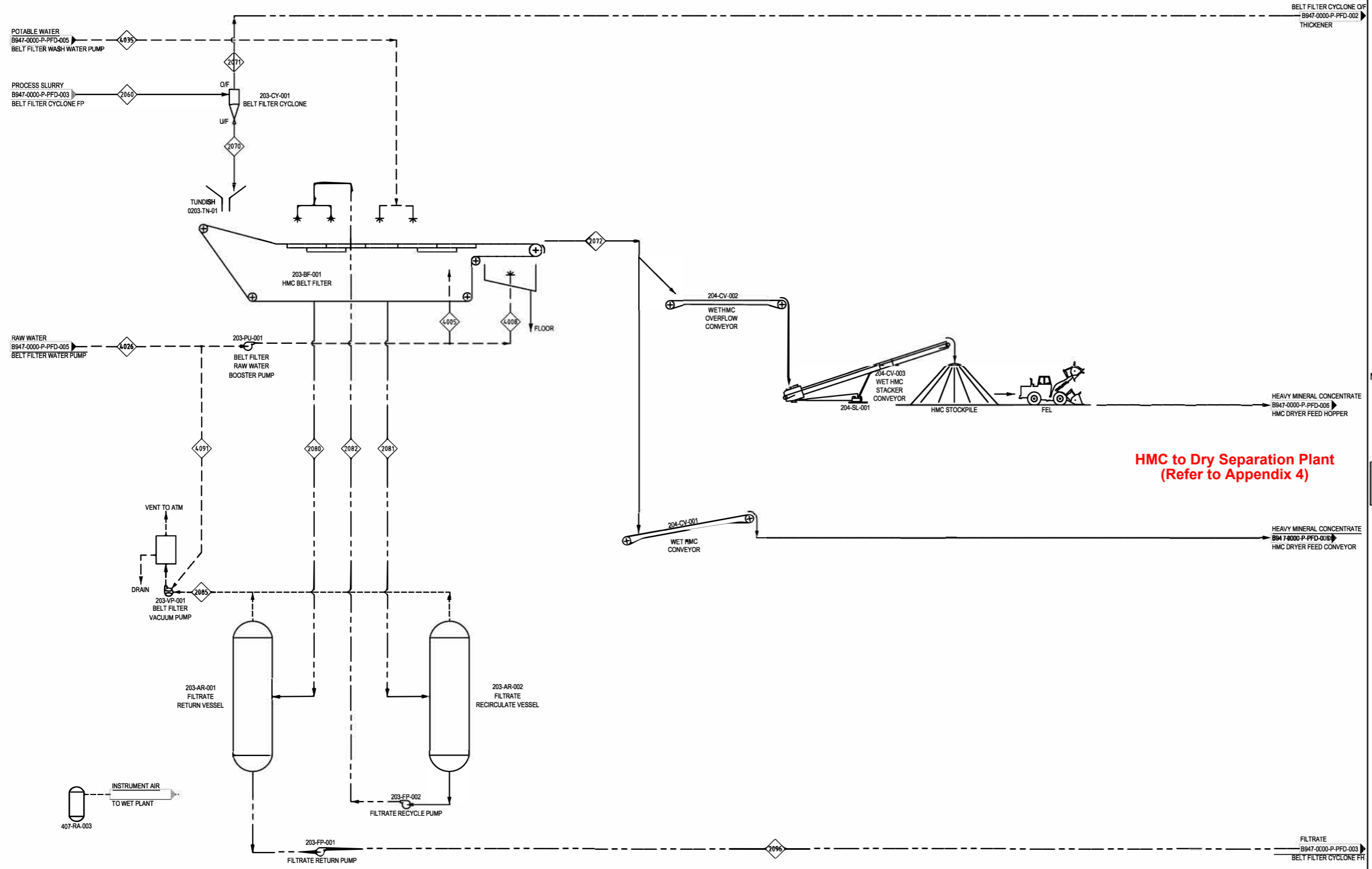


CLIENT: AUSTRALIAN GARNET PTY. LTD.

TITLE: LUCKY BAY GARNET PROJECT
PROCESS FLOW DIAGRAM
WEST CONCENTRATOR PLANT (WCP 1)

SCALE	NTS	SIZE
		A1
REV No	A	B
DRAWING No	B947-0000-P-PFD-003_C	

Wet Processing - Dewatering Circuit



- LEGEND - PROCESS:**
- MATERIAL FLOW
 - - - - PROCESS WATER
 - - - - PROCESS BIN OF & DIRTY WATER
 - SUB-AREA BOUNDARY
 - FM [F] FLOW METER
 - DM [D] DENSITY METER
 - SA [S] SAMPLER
 - WT [WT] WEIGHT-O-METER
 - IW [IW] IMPACT WEIGHER
 - DI [DI] DISTRIBUTOR
 - ∇ VALVE (REFER TO P&ID FOR DETAILS)
 - ∇ OVERFLOW
 - O/S OVERSIZE
 - U/F UNDERFLOW
 - U/S UNDERSIZE
 - O/F OVERFLOW
 - HS HIGHLY SUSCEPTIBLE
 - M MAGNETIC
 - MID MIDDINGS
 - NM NON-MAGNETIC
 - [TX] TRANSFORMER
 - [MCC] MOTOR CONTROL CENTRE
 - [VFD] VARIABLE FREQUENCY DRIVE
 - ◇XXX◇ STREAM NUMBERS
 - FUTURE

NOTES:

**HMC to Dry Separation Plant
(Refer to Appendix 4)**



DRAWING No.	REFERENCE DRAWING TITLE	No	BY	DATE	REVISION DETAILS	CHKD	APPR	No	BY	DATE	REVISION DETAILS	CHKD	APPR	PROJ APPR

CS MINING SERVICES
A MINERAL RESOURCES COMPANY

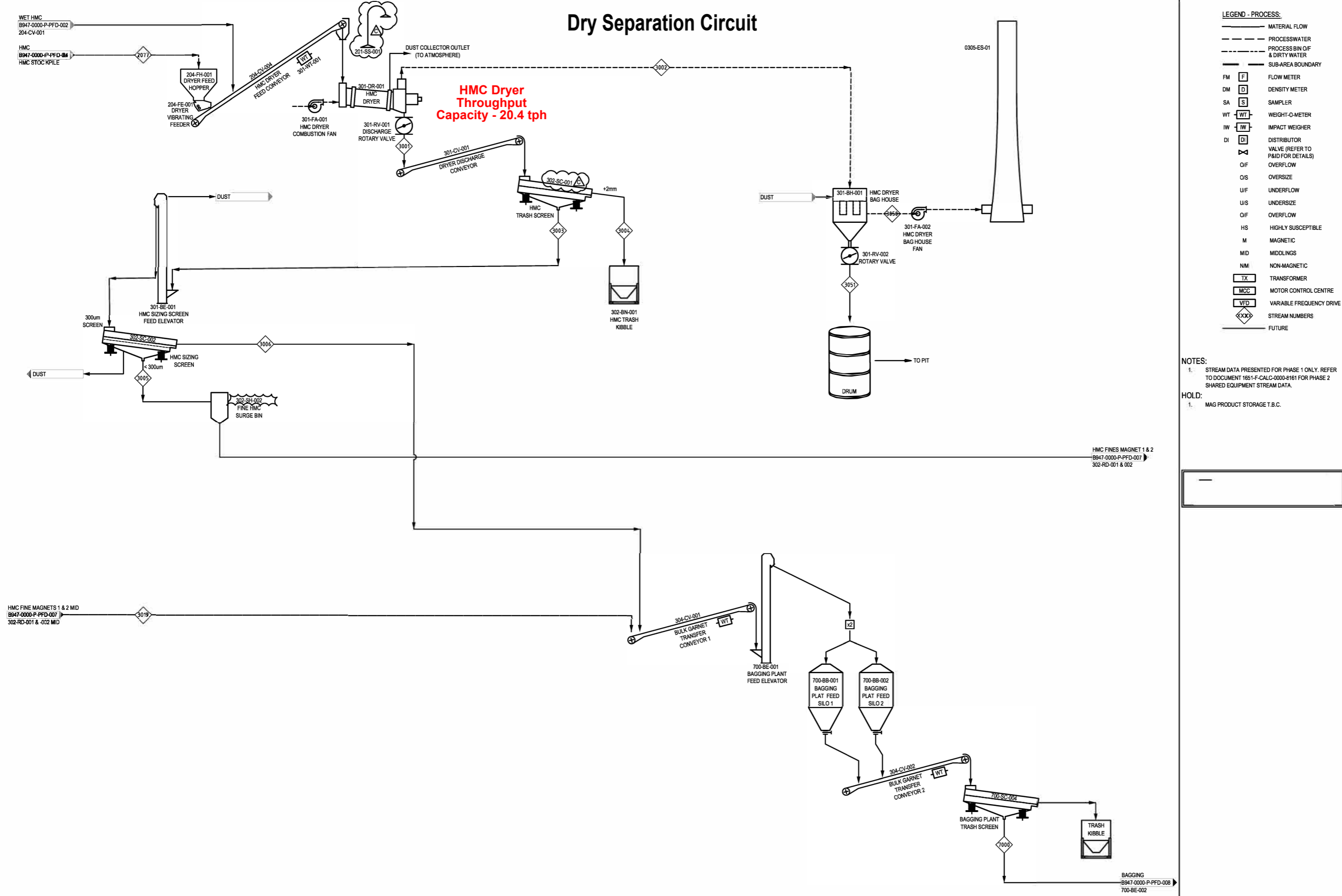
1 SLEAT ROAD, APPLECROSS TELEPHONE (08) 9329 3400
WESTERN AUSTRALIA, 6153 FACSIMILE (08) 9329 3401

Australian Garnet
PYT LTD

CLIENT	AUSTRALIAN GARNET PTY. LTD.	SCALE	NTS	SIZE	A1
TITLE	LUCKY BAY GARNET PROJECT PROCESS FLOW DIAGRAM WASHING & STOCK PILING	ALL DIMENSIONS IN MILLIMETRES		REV No	A B
DRAWING No		B947-0000-P-PFD-004_B			

Dry Separation Circuit

**HMC Dryer
Throughput
Capacity - 20.4 tph**



LEGEND - PROCESS:

—	MATERIAL FLOW
- - -	PROCESSWATER
- · - · -	PROCESS BIN O/F & DIRTY WATER
—	SUB-AREA BOUNDARY
FM [F]	FLOW METER
DM [D]	DENSITY METER
SA [S]	SAMPLER
WT [WT]	WEIGHT-O-METER
IW [IW]	IMPACT WEIGHER
DI [D]	DISTRIBUTOR VALVE (REFER TO P&ID FOR DETAILS)
OIF	OVERFLOW
O/S	OVERSIZE
U/F	UNDERFLOW
U/S	UNDERSIZE
O/F	OVERFLOW
HS	HIGHLY SUSCEPTIBLE
M	MAGNETIC
MID	MIDLINGS
NM	NON-MAGNETIC
[TX]	TRANSFORMER
[MCC]	MOTOR CONTROL CENTRE
[VFD]	VARIABLE FREQUENCY DRIVE
◇	STREAM NUMBERS
—	FUTURE

NOTES:
1. STREAM DATA PRESENTED FOR PHASE 1 ONLY. REFER TO DOCUMENT 1651-F-CALC-0000-4161 FOR PHASE 2 SHARED EQUIPMENT STREAM DATA.

HOLD:
1. MAG PRODUCT STORAGE T.B.C.



DRAWING No.	REFERENCE DRAWING TITLE	No	BY	DATE	REVISION DETAILS	CHKD	APPR	No	BY	DATE	REVISION DETAILS	CHKD	APPR	PROJ APPR

CSI MINING SERVICES
A MINERAL RESOURCES COMPANY
1 SLEAT ROAD, APPLECROSS TELEPHONE (08) 9329 3400
WESTERN AUSTRALIA, 6153 FACSIMILE (08) 9329 3401



CLIENT: AUSTRALIAN GARNET PTY. LTD.
TITLE: LUCKY BAY GARNET PROJECT
PROCESS FLOW DIAGRAM
MINERAL SEPERATION PLANT

SCALE	NTS	SIZE	A1
ALL DIMENSIONS IN MILLIMETRES			
REV No	A	B	C
DRAWING No	B947-0000-P-PFD-006_C		