

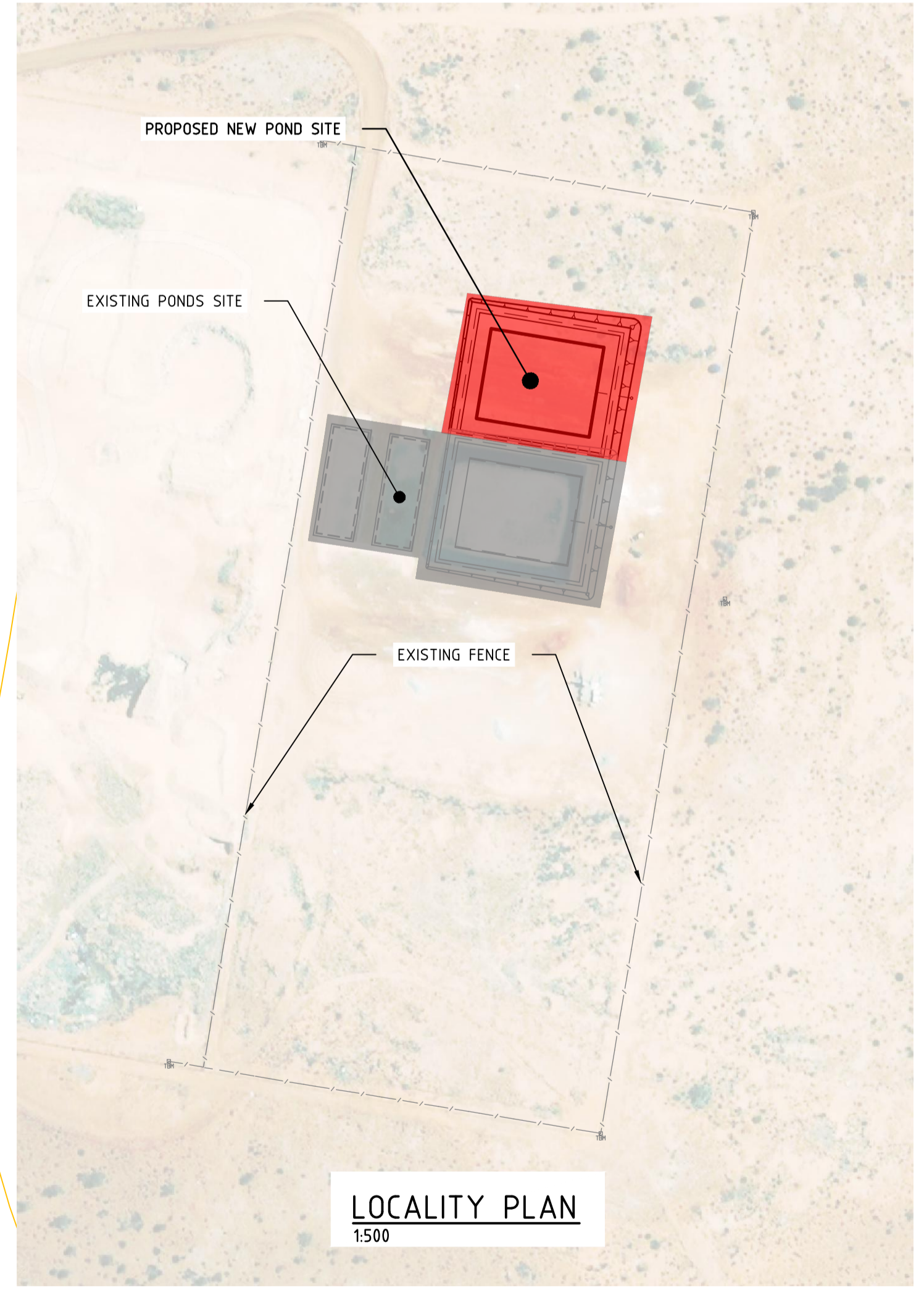
- NOTES:**
1. ALL DIMENSIONS ARE IN METERS UNLESS SPECIFIED.
 2. THIS DRAWING SHALL BE READ IN CONJUNCTION WITH DWG NO'S 11329-C1-DG-0011
 3. THIS DRAWING SHALL BE READ IN CONJUNCTION WITH THE TECHNICAL SPECIFICATION
 4. GROUND INTERFACE IS APPROXIMATE AND SHALL BE DETERMINED ON SITE FROM ACTUAL GROUND LEVELS.
 5. OBTAIN SETOUT FROM THE DESIGN ENGINEER.

LEGEND:

EXTENT OF COMPOSITE LINER

SUBSOIL PIPE SCHEDULE				
PIPE No	DIA (mm)	LENGT H (m)	INLET IL (AHD)	OUTLET IL (AHD)
①	100	67.500	381.650	380.975
②	100	67.500	381.650	380.975
③	100	15.172	380.975	380.848

MONITORING WELL SCHEDULE					
WELL ID	DIA (mm)	DEPTH (m)	PIT LID RL (AHD)	BASE RL (AHD)	COMMENT
A	1050	2.8	382.974	380.024	INSTALL PIT BASE, LINER AND TRAFFICABLE RECTANGULAR ACCESSES COVER WITH CONCRETE LID BY MRWA DRAWING No. 200231-085-3.



PRELIMINARY DRAWING
NOT TO BE USED FOR CONSTRUCTION PURPOSES

WML Consulting Engineers
Civil | Geotechnical | Structural
CONSULTANT DRAWING NUMBER 11329-C1-DG-0100

BUNBURY +61 8 9722 3544
KALGOORLIE +61 8 9021 1811
PERTH +61 8 9722 3566
wml.com.au

REVISIONS				
N°	DESCRIPTION	APPROVED	DATE	DRAWN
A	ISSUED FOR REVIEW	T.K.	APR '24	M.C.

Shire of Leonora

NOTE: * INDICATES SIGNATURES ON ORIGINAL ISSUE OF DRAWING OR LAST REVISION OF DRAWING

NAMES PRINTED IN FULL	DATE	CLIENT
DESIGNED B. CHEN	MAR '24	SHIRE OF LEONORA
DRAWN M. CHULU	MAR '24	PROJECT LIQUID WASTE POND DUPLICATION
VERIFIED T. CHISHOLM	APR '24	
APPROVED T. KRUGER	APR '24	

DRAWING TITLE
LOCALITY, GENERAL ARRANGEMENT AND EARTHWORKS PLAN

DRAWING NUMBER
11329-C1-DG-0100

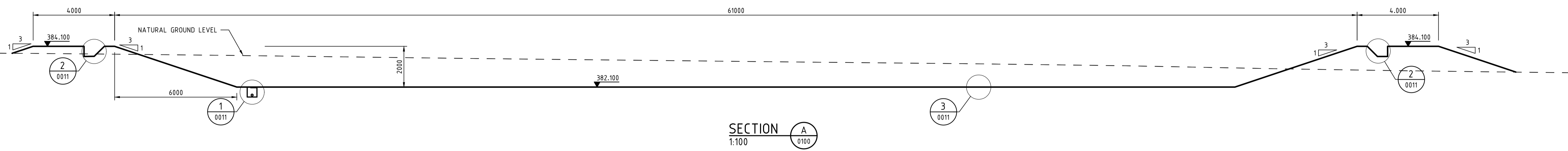
REVISION
A

BEFORE YOU DIG
www.byda.com.au

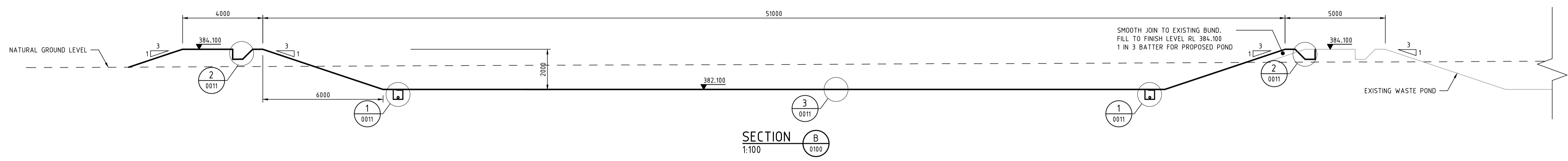
WARNING:
SERVICES AND CADASTRAL BOUNDARY LOCATIONS SHOWN ARE ONLY INDICATIVE AND MUST NOT BE USED FOR EXCAVATION. THE "BEFORE YOU DIG" SYSTEM SHALL BE USED TO OBTAIN ACCURATE SERVICE LOCATIONS.

1:500 SCALE
A1

NOTES:
 1. REFER TO DRAWING 11329-C1-0100 FOR PLAN LAYOUT.
 2. REFER TO DRAWING 11329-C1-0011 FOR TYPICAL DETAILS.



SECTION A
1:100



SECTION B
1:100

PRELIMINARY DRAWING
 NOT TO BE USED FOR CONSTRUCTION PURPOSES

BEFORE YOU DIG
 www.byda.com.au

WARNING:
 SERVICES AND CADASTRAL BOUNDARY LOCATIONS SHOWN ARE ONLY INDICATIVE AND MUST NOT BE USED FOR EXCAVATION. THE "BEFORE YOU DIG" SYSTEM SHALL BE USED TO OBTAIN ACCURATE SERVICE LOCATIONS.

WML
 Consulting Engineers
 Civil | Geotechnical | Structural

BUNBURY +61 8 9722 3544
 KALGOORLIE +61 8 9021 1811
 PERTH +61 8 9722 3566
 wml.com.au

CONSULTANT DRAWING NUMBER 11329-C1-DG-0010

REVISIONS				
N°	DESCRIPTION	APPROVED	DATE	DRAWN
A	ISSUED FOR REVIEW	T.K.	APR '24	M.C.

Shire of Leonora

NOTE: * INDICATES SIGNATURES ON ORIGINAL ISSUE OF DRAWING OR LAST REVISION OF DRAWING

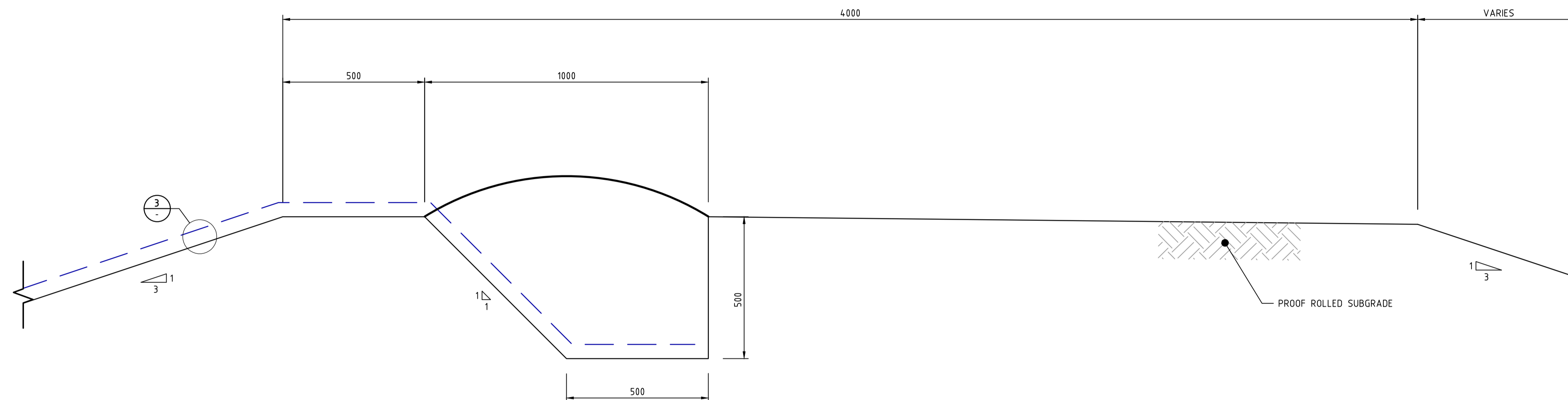
NAMES PRINTED IN FULL	DATE
DESIGNED B. CHEN	MAR '24
DRAWN M. CHULU	MAR '24
VERIFIED T. CHISHOLM	APR '24
APPROVED T. KRUGER	APR '24

CLIENT	DRAWING TITLE
SHIRE OF LEONORA	TYPICAL CROSS SECTIONS
PROJECT	LIQUID WASTE POND DUPLICATION

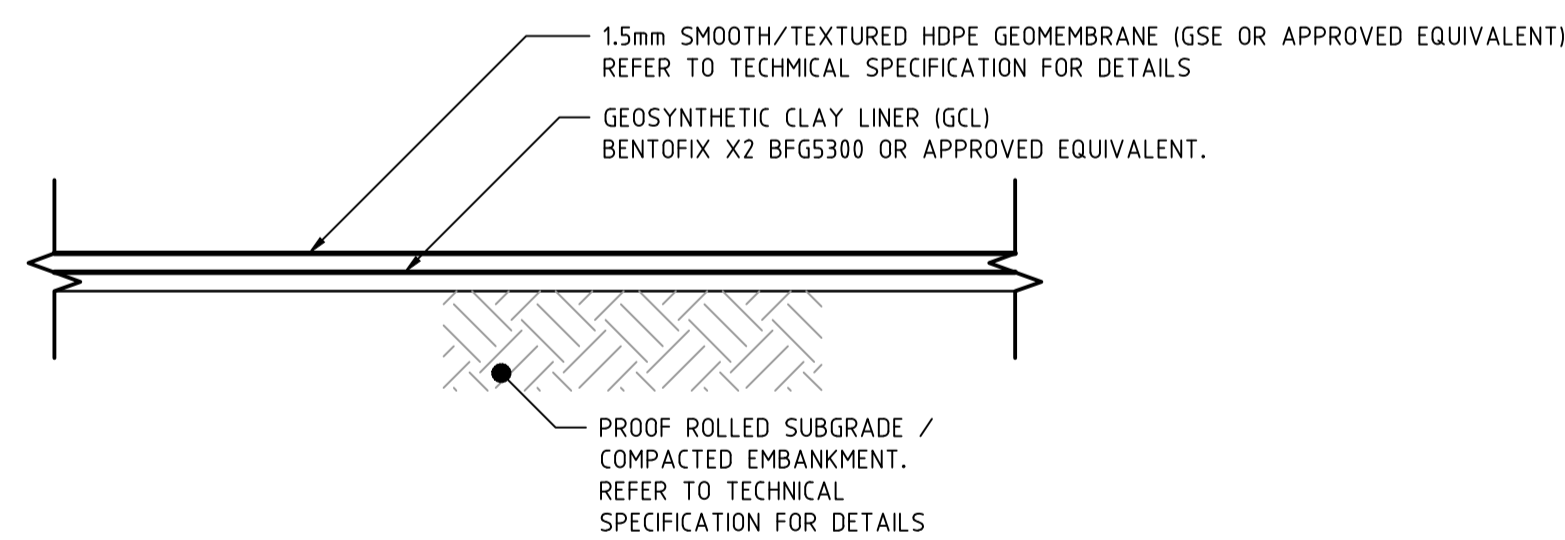
DRAWING NUMBER	REVISION
11329-C1-DG-0010	A

1:100 SCALE
 A1

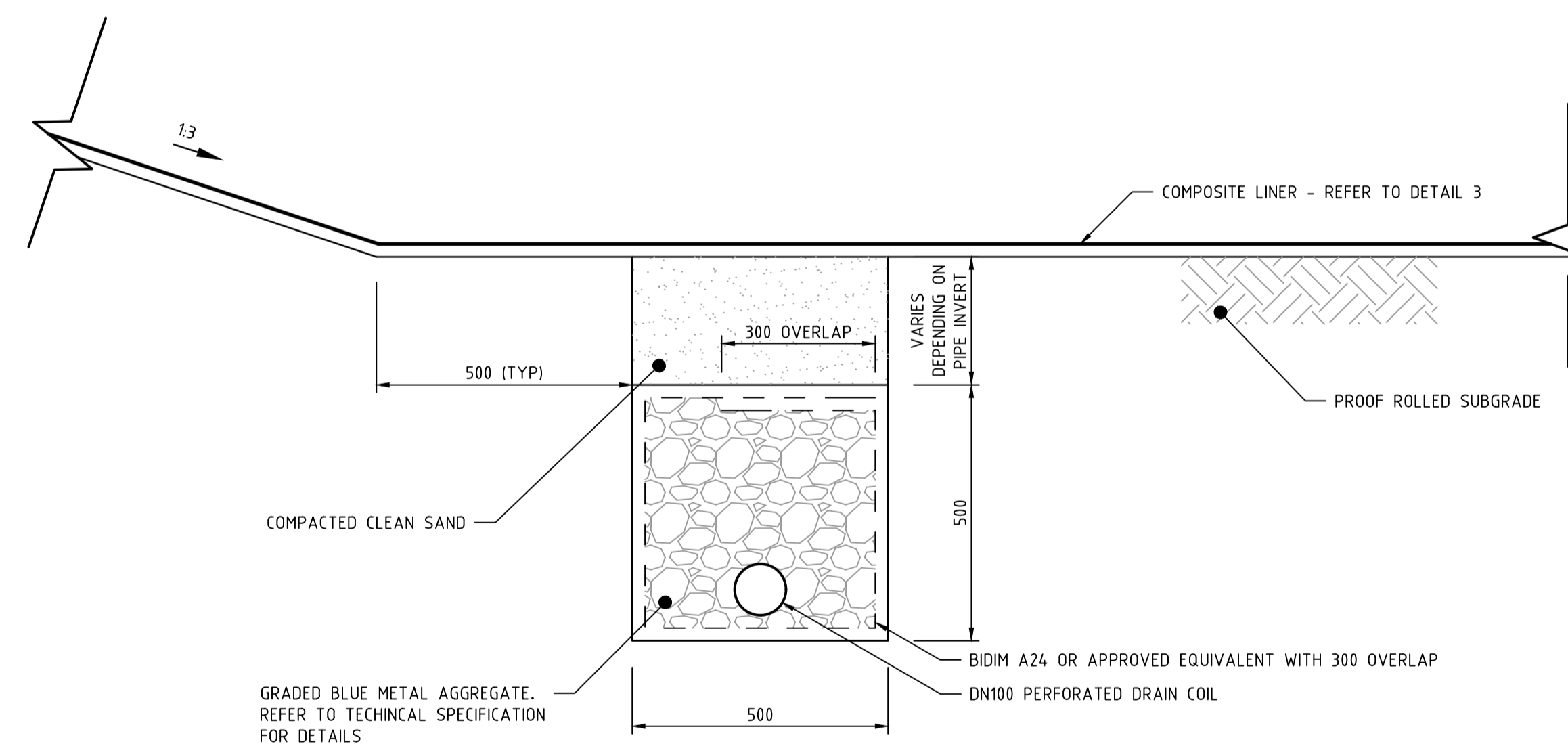
- NOTES:**
- REFER TO DRAWING 11329-C1-0100 FOR PLAN LAYOUT.
 - REFER TO DRAWING 11329-C1-0010 FOR TYPICAL CROSS SECTIONS.



DETAIL 2
1:100
TYPICAL ANCHOR TRENCH DETAILS



DETAIL 3
1:100
TYPICAL COMPOSITE LINER CROSS SECTION



DETAIL 1
1:100
TYPICAL SUBSOIL DRAIN LOCATION AND DETAIL

PRELIMINARY DRAWING
NOT TO BE USED FOR CONSTRUCTION PURPOSES

BEFORE YOU DIG
www.byda.com.au

WARNING:
SERVICES AND CADASTRAL BOUNDARY LOCATIONS SHOWN ARE ONLY INDICATIVE AND MUST NOT BE USED FOR EXCAVATION. THE "BEFORE YOU DIG" SYSTEM SHALL BE USED TO OBTAIN ACCURATE SERVICE LOCATIONS.

WML
Consulting Engineers
Civil | Geotechnical | Structural

BUNBURY +61 8 9722 3544
KALGOORLIE +61 8 9021 1811
PERTH +61 8 9722 3566
wml.com.au

CONSULTANT DRAWING NUMBER 11329-C1-DG-0011

REVISIONS				
N°	DESCRIPTION	APPROVED	DATE	DRAWN
A	ISSUED FOR REVIEW	T.K.	APR '24	M.C.

Shire of Leonora

NOTE: * INDICATES SIGNATURES ON ORIGINAL ISSUE OF DRAWING OR LAST REVISION OF DRAWING

NAMES PRINTED IN FULL	DATE
DESIGNED	MAR '24
DRAWN	MAR '24
VERIFIED	APR '24
APPROVED	APR '24

CLIENT	SHIRE OF LEONORA
PROJECT	LIQUID WASTE POND DUPLICATION

DRAWING TITLE	TYPICAL DETAILS
DRAWING NUMBER	11329-C1-DG-0011
REVISION	A

1:100 SCALE
A1