



EVAPORATION POND DESIGN

SHIRE OF UPPER GASCOYNE

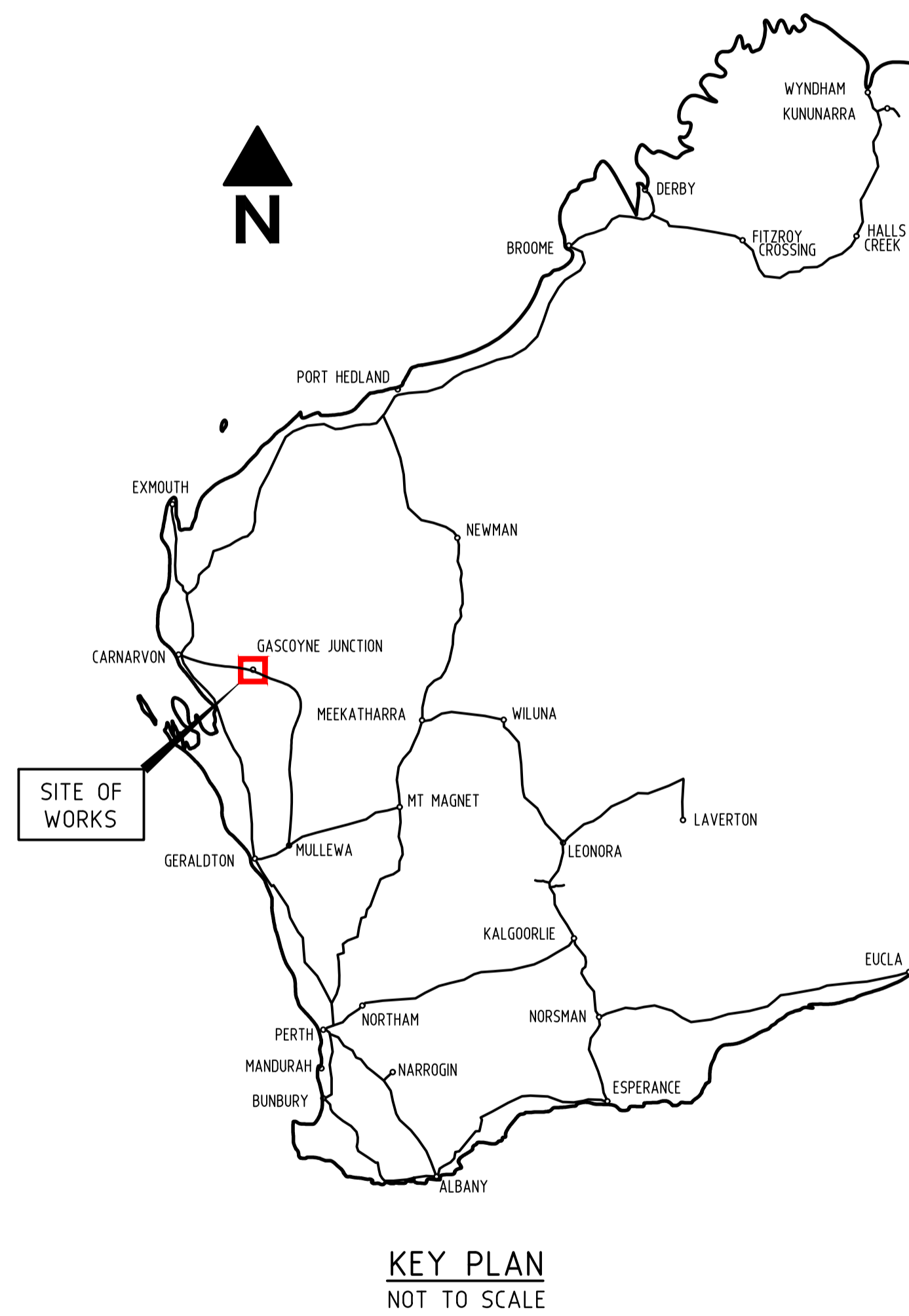
DRAWINGS - EARTHWORKS AND LINER DETAILS



PRELIMINARY DRAWING
NOT TO BE USED FOR CONSTRUCTION PURPOSES

SHIRE OF UPPER GASCOYNE

EVAPORATION POND DESIGN



LOCALITY PLAN
NOT TO SCALE

DRAWING INDEX

DESCRIPTION

DRAWING No.

GENERAL DRAWINGS

COVER PAGE	11974-C1-DG-0000
LOCALITY PLAN AND DRAWING INDEX	11974-C1-DG-0001

PLAN

GENERAL ARRANGEMENT PLAN	11974-C1-DG-0101
CONTOUR PLAN	11974-C1-DG-0102

TYPICAL SECTIONS AND DETAILS

TYPICAL SECTIONS AND DETAILS 1 OF 2	11974-C1-DG-0201
TYPICAL SECTIONS AND DETAILS 2 OF 2	11974-C1-DG-0202

PRELIMINARY DRAWING

NOT TO BE USED FOR CONSTRUCTION PURPOSES

REVISIONS				
N°	DESCRIPTION	APPROVED	DATE	DRAWN
B	ISSUED FOR TENDER		08.11.2024	M.C.
A	ISSUED FOR REVIEW		18.10.2024	A.M.



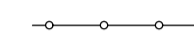
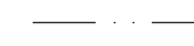
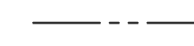
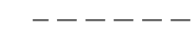


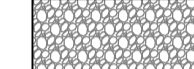
NAMES PRINTED IN FULL	DATE	CLIENT
DESIGNED	OCT '24	SHIRE OF UPPER GASCOYNE
DRAWN	OCT '24	PROJECT
VERIFIED		EVAPORATION POND DESIGN
APPROVED		

DRAWING TITLE	DRAWING NUMBER	REVISION
LOCALITY PLAN AND DRAWING INDEX	11974-C1-DG-0001	B

NOTES

1. THIS DRAWING SHALL BE READ IN CONJUNCTION WITH THE OTHER DRAWINGS IN THIS SET AS LISTED ON DRAWING 11974-C1-DG-0001.
2. ALL DIMENSIONS ARE IN METRES UNLESS NOTED OTHERWISE.
3. EMBANKMENTS AND FLOOR TO BE HDPE LINED (2mm THICKNESS).
4. BALLAST TO BE A MINIMUM OF 50kg/m.
5. ROCK PITCHING SHALL BE 150mm IN SIZE AND FREE OF SAND AND FINES.

LEGEND

-  REFERENCE LINE
-  CADASTRAL BOUNDARY
-  PROPOSED FENCE
-  BUND AND DRAIN INTERFACE
-  BUND TOP - EXTERNAL
-  V-DRAIN
-  PROPOSED GATE
-  ANCHOR TRENCH
-  150mm ROCK SPALDING



PLAN
1:500

PRELIMINARY DRAWING
NOT TO BE USED FOR CONSTRUCTION PURPOSES

1:500
SCALE
A1

WML Consulting Engineers
Civil | Geotechnical | Structural
CONSULTANT DRAWING NUMBER 11974-C1-DG-0101

BUNBURY +61 8 9222 3544
KALGOORLIE +61 8 9021 1811
PERTH +61 8 9222 3566
wml.com.au

REVISIONS				
N°	DESCRIPTION	APPROVED	DATE	DRAWN
B	ISSUED FOR TENDER		08.11.2024	M.C.
A	ISSUED FOR REVIEW		18.10.2024	A.M.

UPPER GASCOYNE

NOTE: * INDICATES SIGNATURES ON ORIGINAL ISSUE OF DRAWING OR LAST REVISION OF DRAWING

NAMES PRINTED IN FULL	DATE
DESIGNED	OCT '24
DRAWN	OCT '24
VERIFIED	
APPROVED	





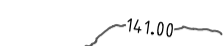



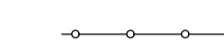

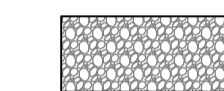
CLIENT	PROJECT
SHIRE OF UPPER GASCOYNE	EVAPORATION POND DESIGN

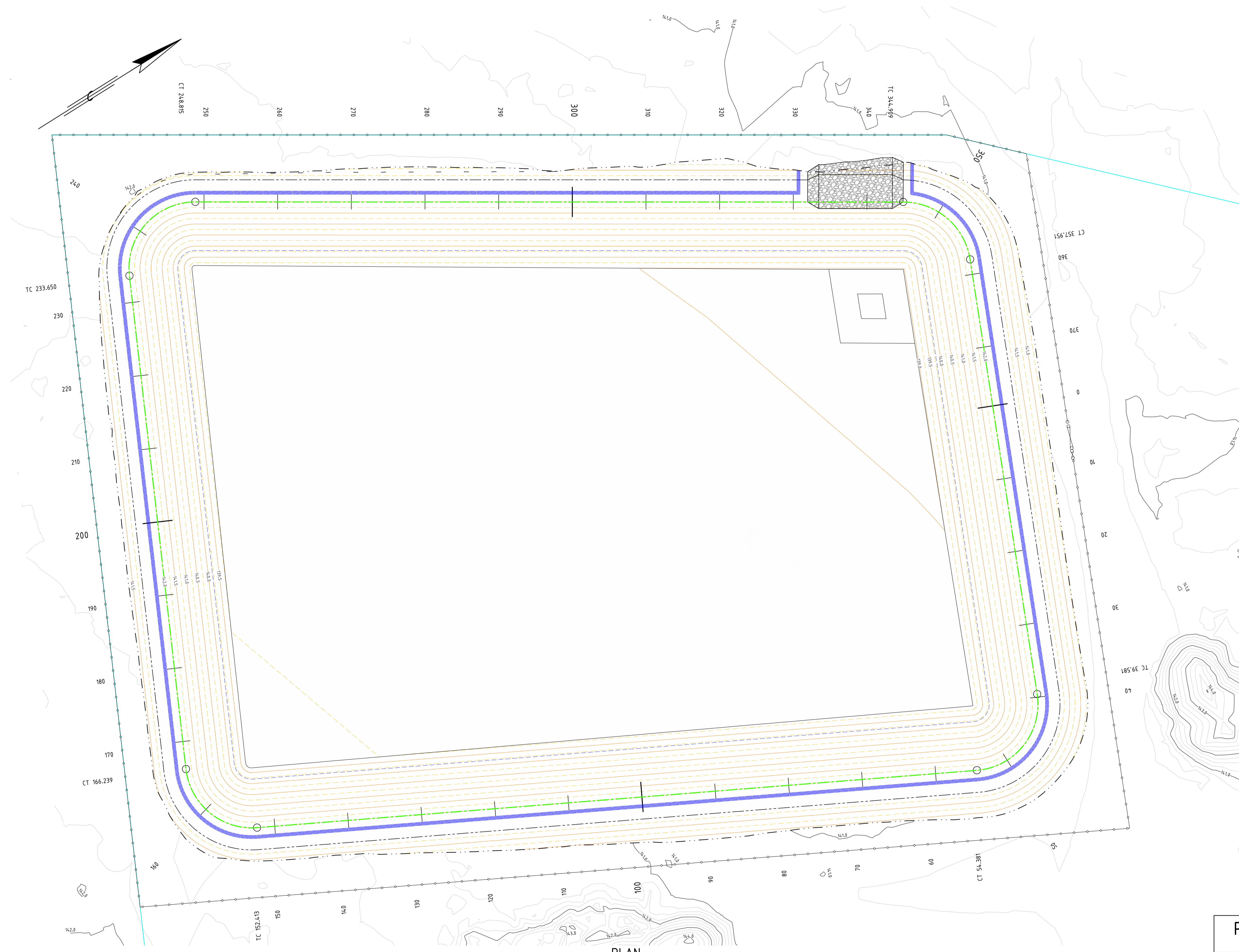
DRAWING TITLE	DRAWING NUMBER	REVISION
GENERAL ARRANGEMENT PLAN	11974-C1-DG-0101	B

NOTES

1. THIS DRAWING SHALL BE READ IN CONJUNCTION WITH THE OTHER DRAWINGS IN THIS SET AS LISTED ON DRAWING 11974-C1-DG-0001.
2. ALL DIMENSIONS ARE IN METRES UNLESS NOTED OTHERWISE.

LEGEND

-  REFERENCE LINE
-  DESIGN WATER LEVEL
-  DESIGN CONTOUR MAJOR
-  DESIGN CONTOUR MINOR
-  EXISTING CONTOUR MAJOR
-  EXISTING CONTOUR MINOR
-  CADASTRAL BOUNDARY
-  PROPOSED GATE
-  PROPOSED FENCE
-  ANCHOR TRENCH
-  150mm ROCK SPALDING



PRELIMINARY DRAWING
NOT TO BE USED FOR CONSTRUCTION PURPOSES

1:250 SCALE A1

WML Consulting Engineers
Civil | Geotechnical | Structural
CONSULTANT DRAWING NUMBER 11974-C1-DG-0102

BUNBURY +61 8 9222 3544
KALGOORLIE +61 8 9021 1811
PERTH +61 8 9222 3566
wml.com.au

REVISIONS				
N°	DESCRIPTION	APPROVED	DATE	DRAWN
B	ISSUED FOR TENDER		08.11.2024	M.C.
A	ISSUED FOR REVIEW		18.10.2024	A.M.

State of **UPPER GASCOYNE**

NOTE: * INDICATES SIGNATURES ON ORIGINAL ISSUE OF DRAWING OR LAST REVISION OF DRAWING

NAMES PRINTED IN FULL		DATE	CLIENT
DESIGNED		OCT '24	SHIRE OF UPPER GASCOYNE
DRAWN		OCT '24	
VERIFIED			PROJECT
APPROVED			EVAPORATION POND DESIGN




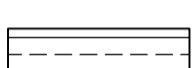
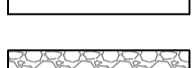
DRAWING TITLE	
CONTOUR PLAN	

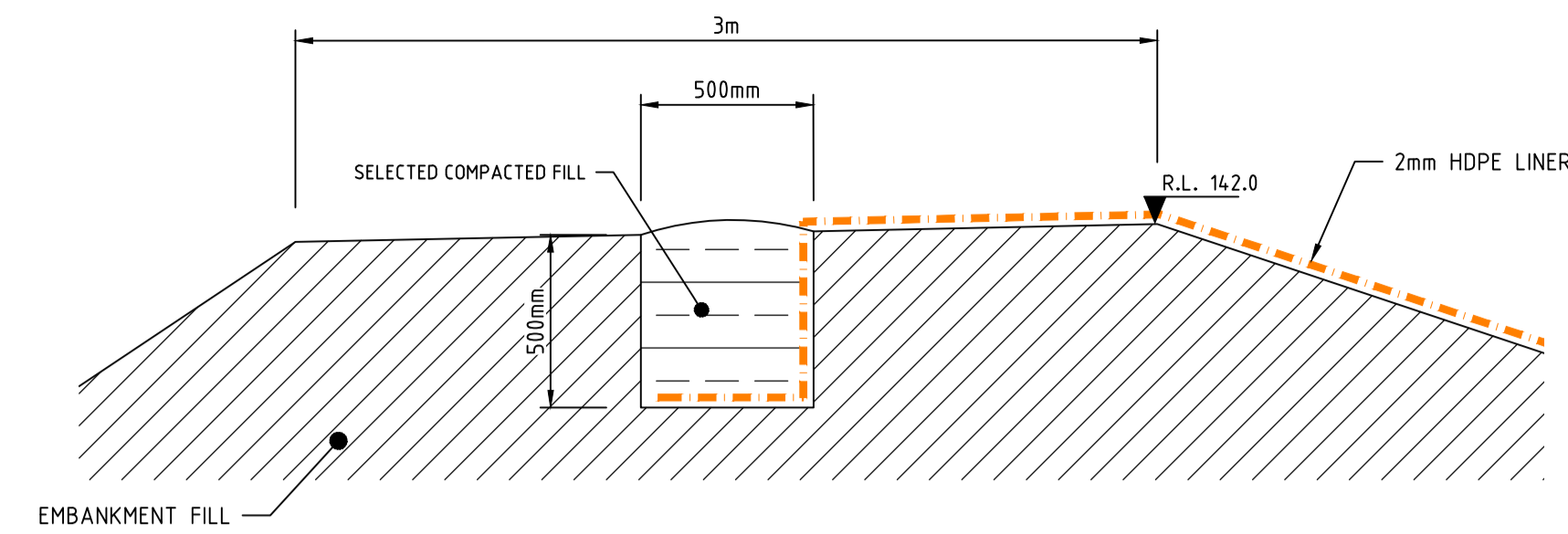
DRAWING NUMBER	REVISION
11974-C1-DG-0102	B

NOTES

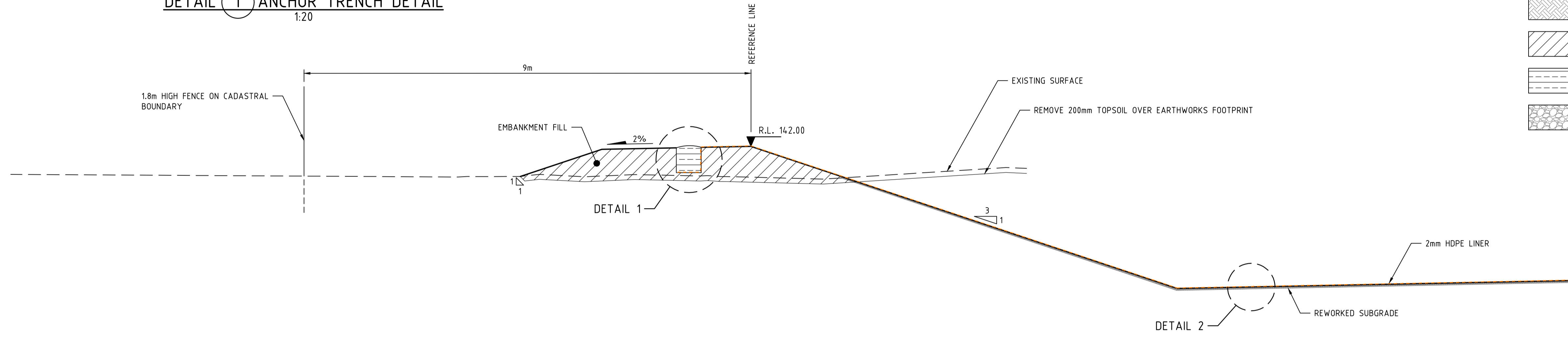
1. THIS DRAWING SHALL BE READ IN CONJUNCTION WITH THE OTHER DRAWINGS IN THIS SET AS LISTED ON DRAWING 11974-C1-DG-0001.
2. ALL DIMENSIONS ARE IN METRES UNLESS NOTED OTHERWISE.
3. EMBANKMENTS AND FLOOR TO BE HDPE LINED (2mm THICKNESS).
4. ALL DIMENSIONS IN MILLIMETRES UNLESS NOTED OTHERWISE.
5. BALLAST TO BE A MINIMUM OF 50kg/m.
6. ROCK PITCHING SHALL BE NOMINALLY 150mm IN SIZE AND FREE OF SAND AND FINES.
7. BALLAST BAG TO BE HDPE GEOMEMBRANE

LEGEND

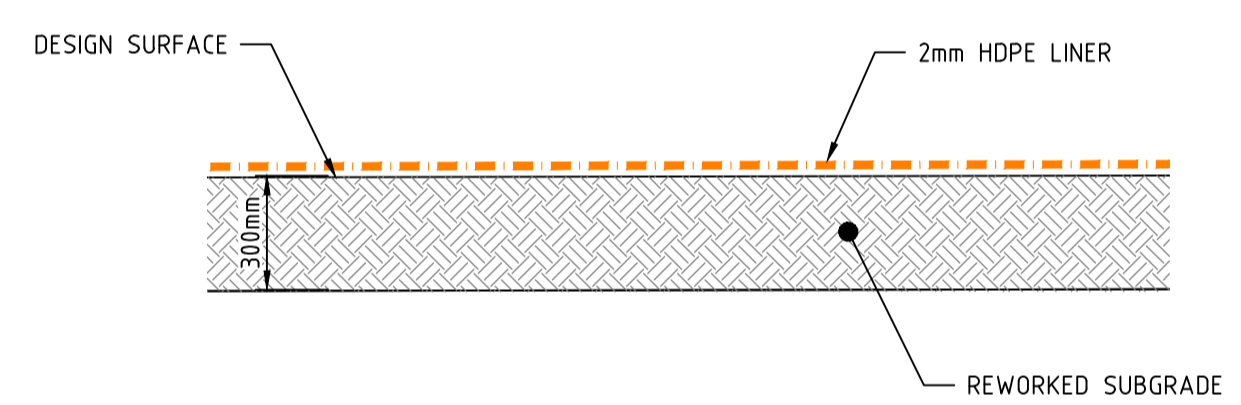
-  2mm SMOOTH/ROUGH HDPE LINER
-  RE-WORKED SUBGRADE
-  EMBANKMENT FILL
-  SELECTED COMPACTED FILL
-  150mm ROCK SPALDING



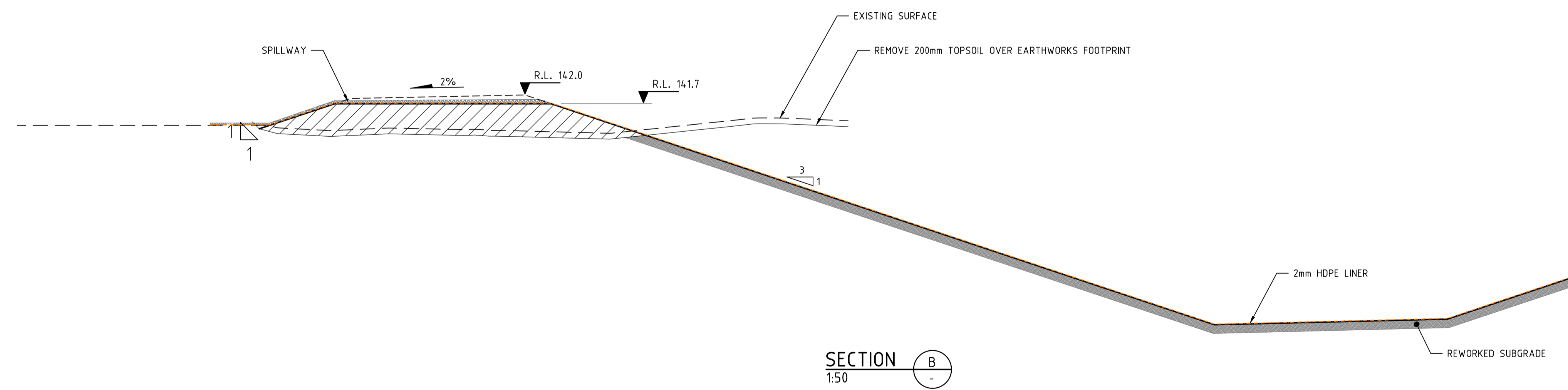
DETAIL 1 ANCHOR TRENCH DETAIL
1:20



SECTION A
1:50



DETAIL 2 SUBGRADE DETAIL
1:20



SECTION B
1:50

PRELIMINARY DRAWING
NOT TO BE USED FOR CONSTRUCTION PURPOSES

WML Consulting Engineers
Civil | Geotechnical | Structural
CONSULTANT DRAWING NUMBER 11974-C1-DG-0201

REVISIONS				
N°	DESCRIPTION	APPROVED	DATE	DRAWN
B	ISSUED FOR TENDER		08.11.2024	M.C.
A	ISSUED FOR REVIEW		18.10.2024	A.M.

State of **UPPER GASCOYNE**

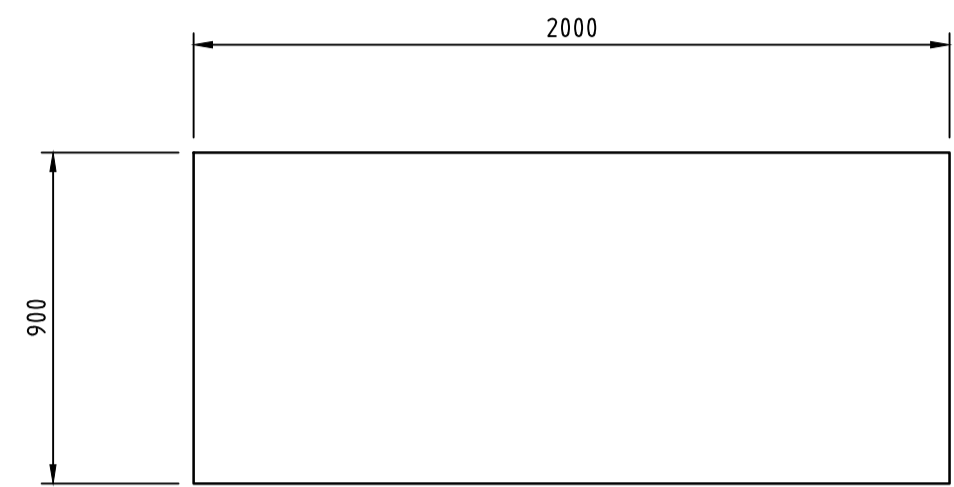
NOTE: * INDICATES SIGNATURES ON ORIGINAL ISSUE OF DRAWING OR LAST REVISION OF DRAWING

NAMES PRINTED IN FULL	DATE
DESIGNED	OCT '24
DRAWN	OCT '24
VERIFIED	
APPROVED	

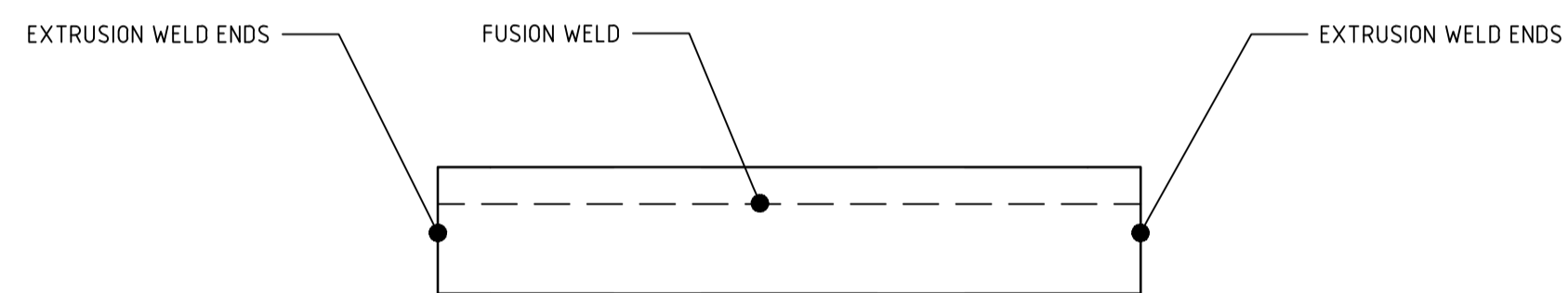
CLIENT	PROJECT
SHIRE OF UPPER GASCOYNE	EVAPORATION POND DESIGN

DRAWING TITLE	REVISION
TYPICAL SECTIONS AND DETAILS SHEET 1 OF 2	
DRAWING NUMBER	11974-C1-DG-0201
REVISION	B

1:50 SCALE
0 0.2m 0.4 0.6 0.8 1.0 1.2 1.4 1.6 1.8 2.0 2.2 2.4 2.6 2.8 3.0

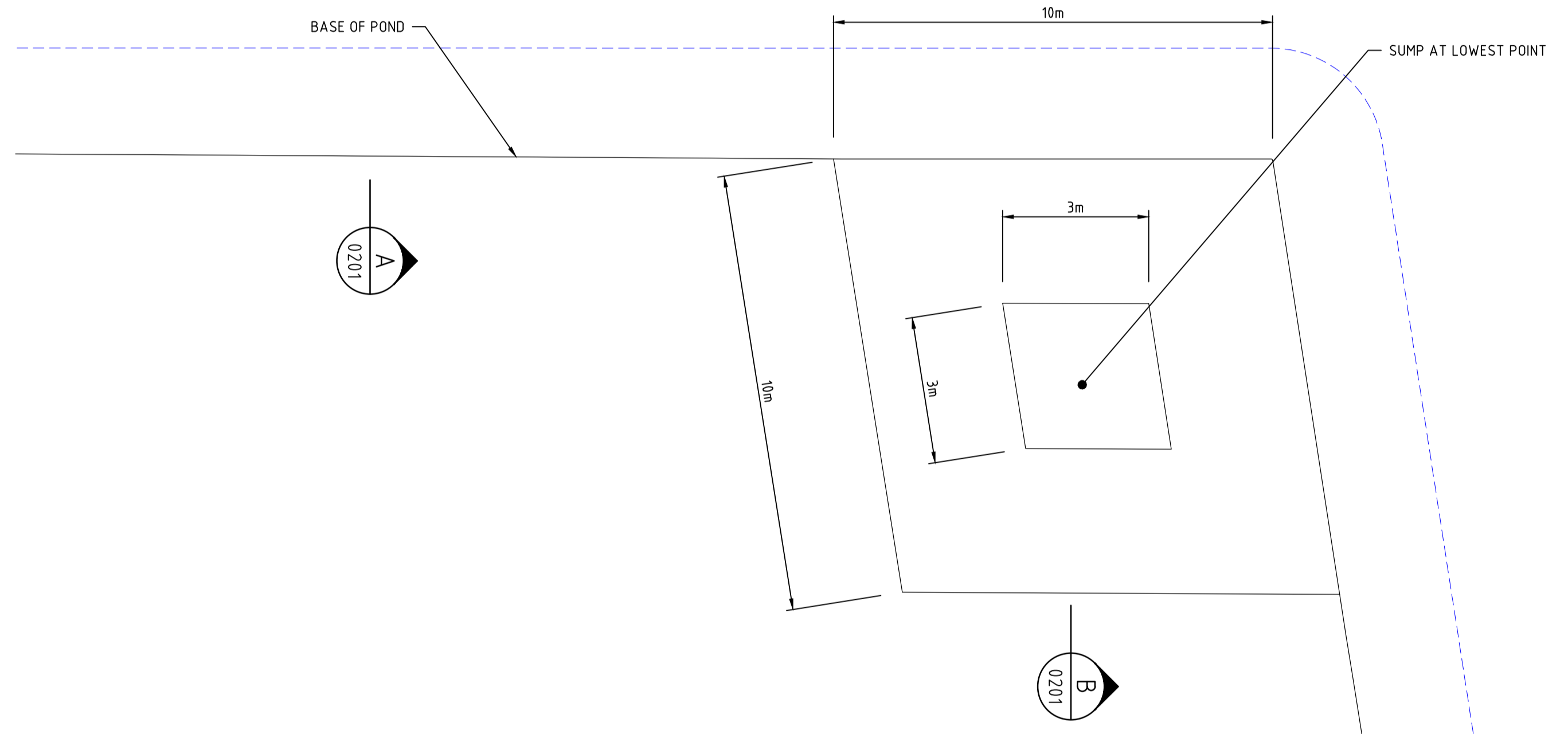
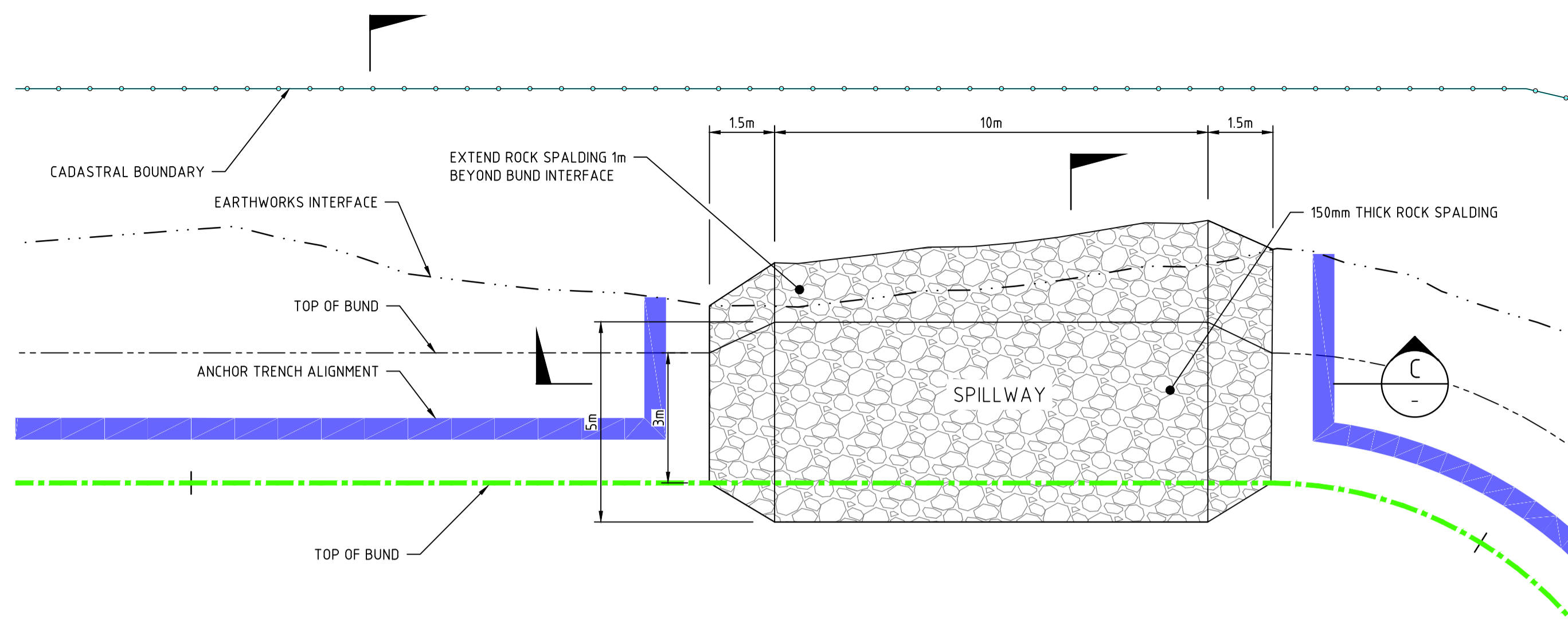


BALLAST BAG SHEET SIZE DETAILS
1:20

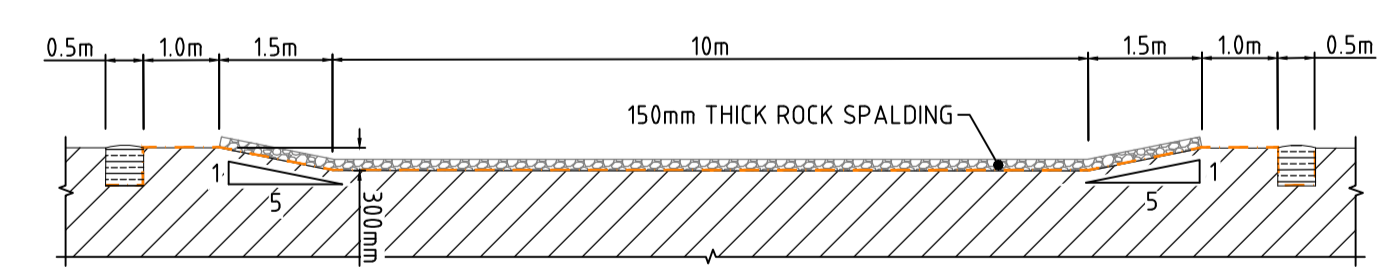


LINER BALLAST FABRICATION DETAILS
NTS

FABRICATION NOTE:
LINER ROLLED TO CREATE TUBE.
TUBE FILLED WITH GRAVEL OR SAND AND BOTH ENDS WELDED.



PLAN
1:100



SECTION C
SPILLWAY DETAILS
1:100

NOTES

1. THIS DRAWING SHALL BE READ IN CONJUNCTION WITH THE OTHER DRAWINGS IN THIS SET AS LISTED ON DRAWING 11974-C1-DG-0001.
2. ALL DIMENSIONS ARE IN METRES UNLESS NOTED OTHERWISE.
3. EMBANKMENTS AND FLOOR TO BE HDPE LINED (2mm THICKNESS).
4. ALL DIMENSIONS IN MILLIMETRES UNLESS NOTED OTHERWISE.
5. BALLAST TO BE A MINIMUM OF 50kg/m.
6. ROCK PITCHING SHALL BE 75mm - 150mm IN SIZE AND FREE OF SAND AND FINES.
7. BALLAST BAG TO BE HDPE GEOMEMBRANE
8. BALLAST BAGS TO BE PLACED AT 5m INTERVALS ON THE TOE OF EMBANKMENT AND IN A 10m GRID PATTERN ON THE FLOOR OF THE POND

LEGEND

- REFERENCE LINE
- DESIGN WATER LEVEL
- 2mm HDPE LINER
- ANCHOR TRENCH
- PROPOSED FENCE
- EMBANKMENT FILL
- 150mm ROCK SPALDING

PRELIMINARY DRAWING
NOT TO BE USED FOR CONSTRUCTION PURPOSES

WML
Consulting Engineers
Civil | Geotechnical | Structural
CONSULTANT DRAWING NUMBER 11974-C1-DG-0202

REVISIONS				
N°	DESCRIPTION	APPROVED	DATE	DRAWN
B	ISSUED FOR TENDER		08.11.2024	M.C.
A	ISSUED FOR REVIEW		18.10.2024	A.M.

State of **UPPER GASCOYNE**

NOTE: * INDICATES SIGNATURES ON ORIGINAL ISSUE OF DRAWING OR LAST REVISION OF DRAWING

NAMES PRINTED IN FULL		DATE	CLIENT
DESIGNED		OCT '24	SHIRE OF UPPER GASCOYNE
DRAWN		OCT '24	
VERIFIED			PROJECT
APPROVED			EVAPORATION POND DESIGN

DRAWING TITLE
TYPICAL SECTIONS AND DETAILS
SHEET 2 OF 2

DRAWING NUMBER
11974-C1-DG-0202

REVISION
B

1:100 SCALE

1:20 SCALE

A1