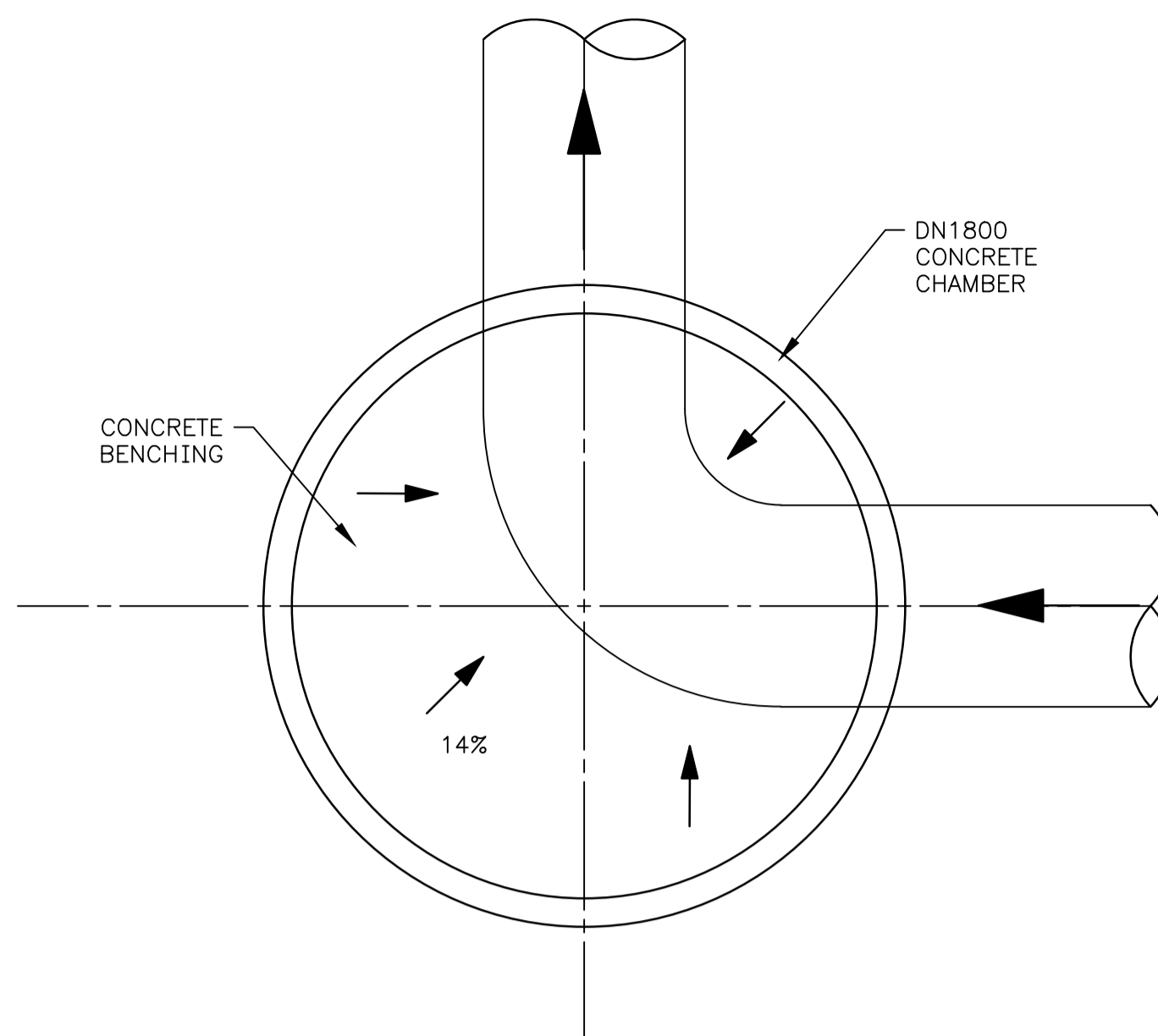
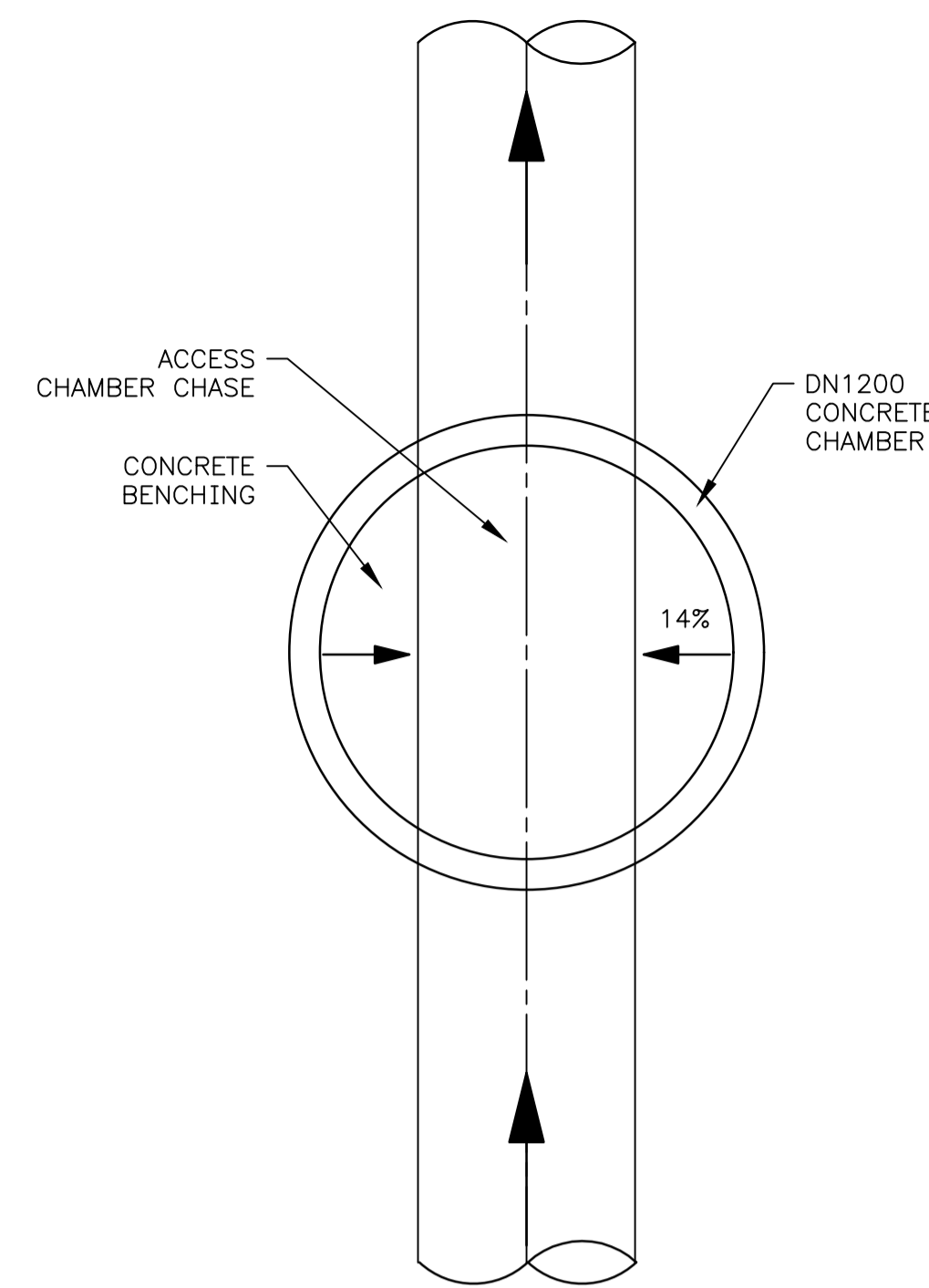


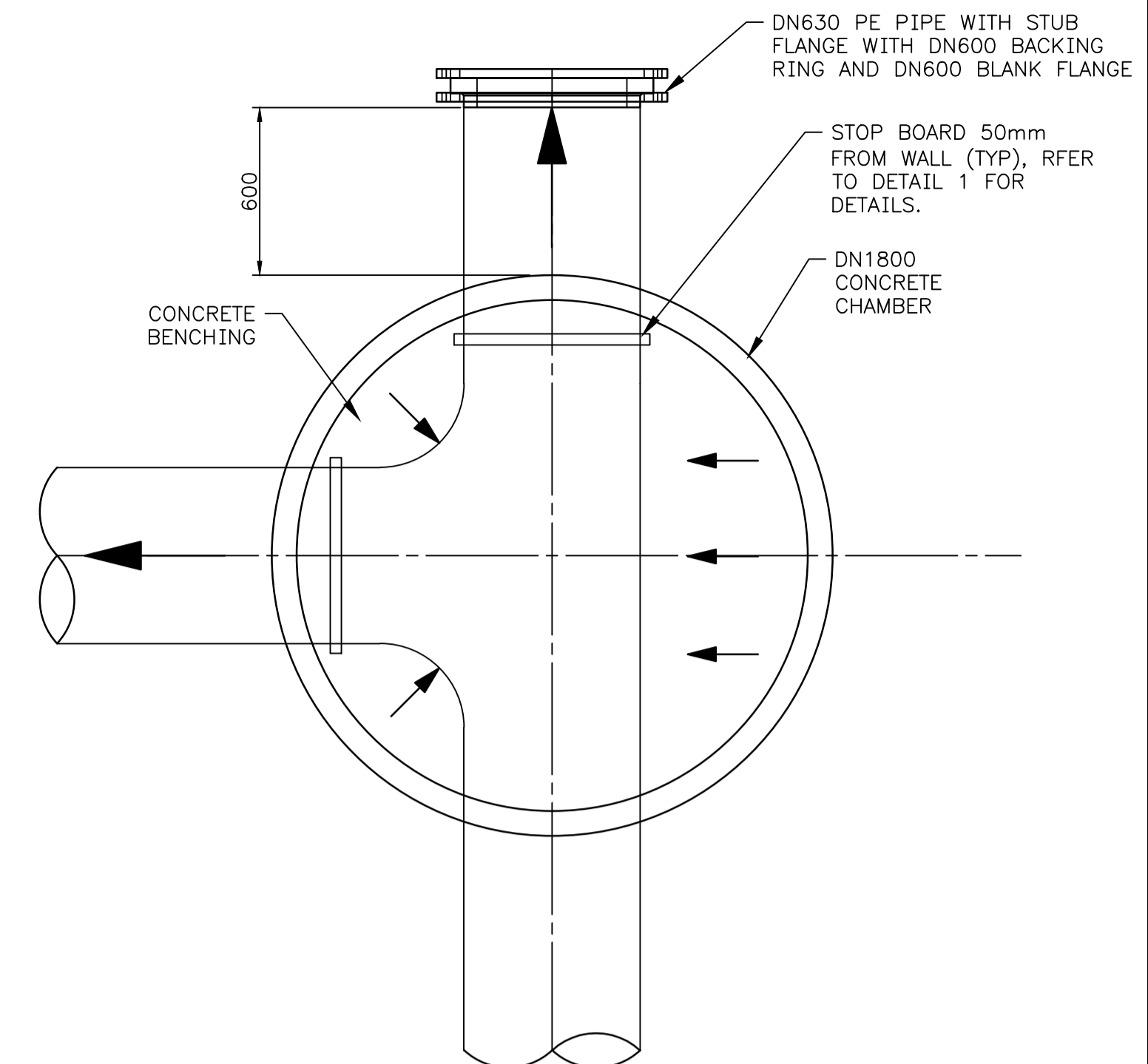
TYPE A: ACCESS CHAMBER
SCALE 1:20



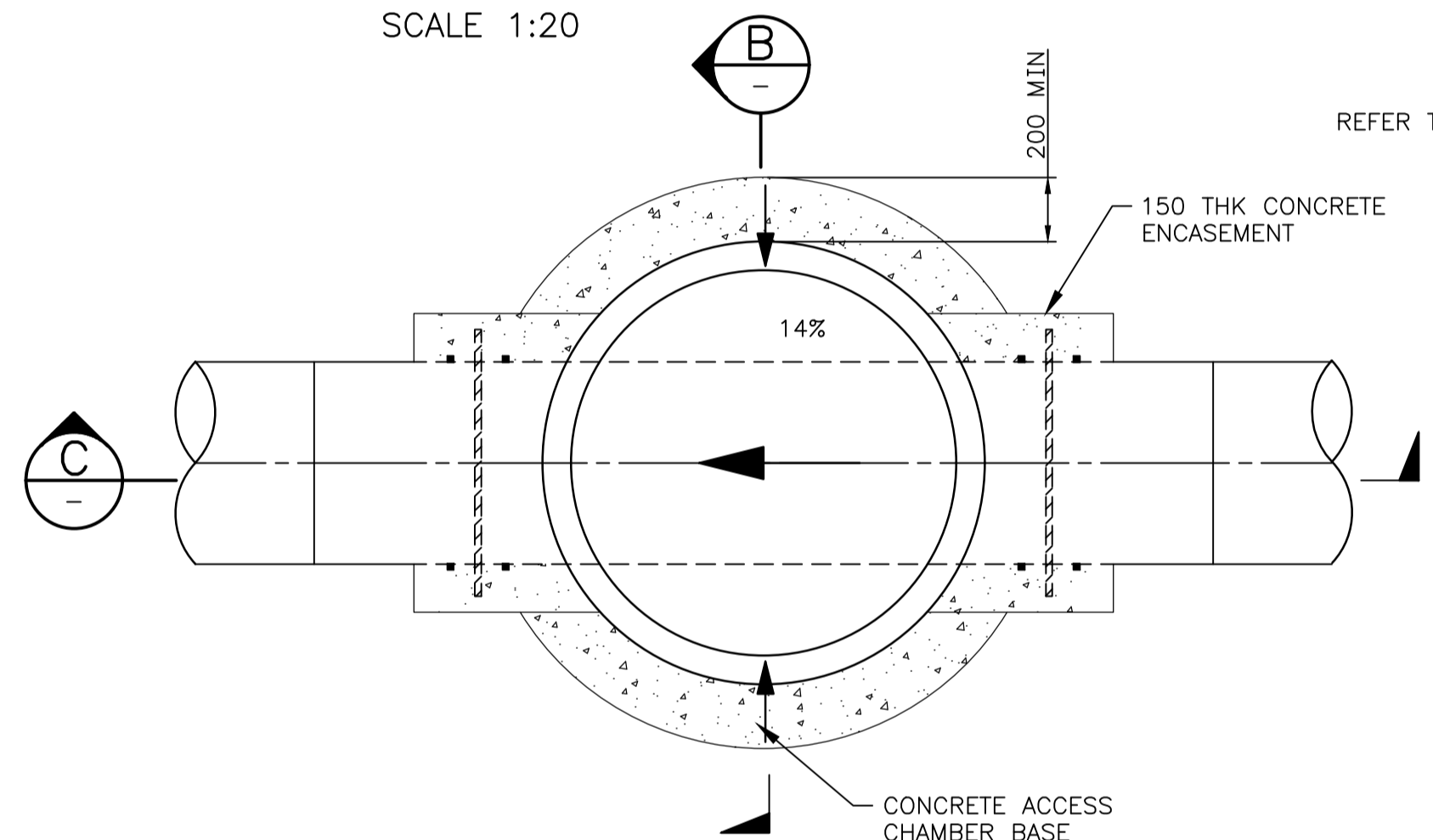
TYPE B: ACCESS CHAMBER
SCALE 1:20
(AS DRAWN OR MIRRORED)



TYPE C: ACCESS CHAMBER
SCALE 1:20

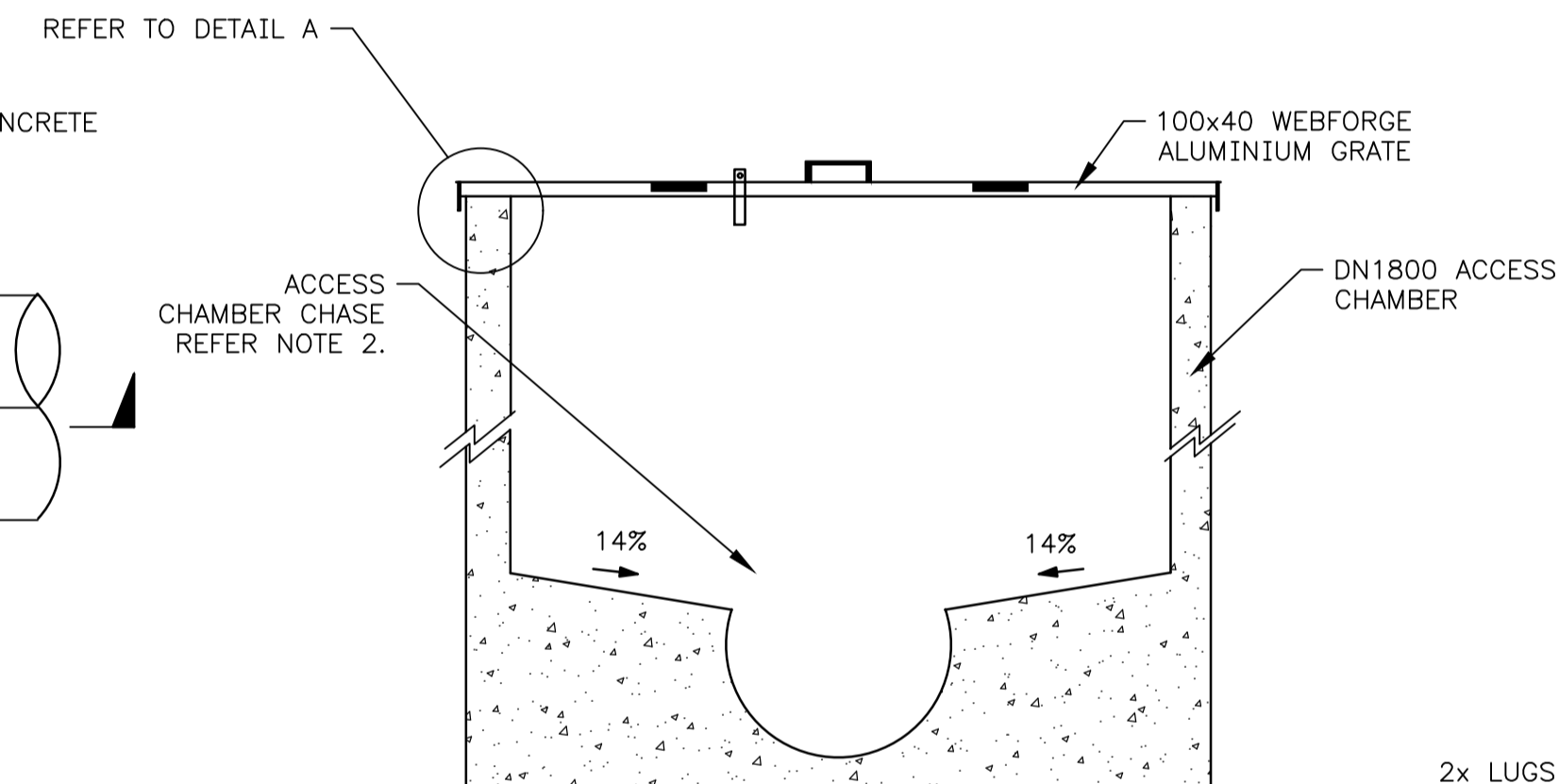


TYPE D: ACCESS CHAMBER
SCALE 1:20
(AS DRAWN OR MIRRORED)

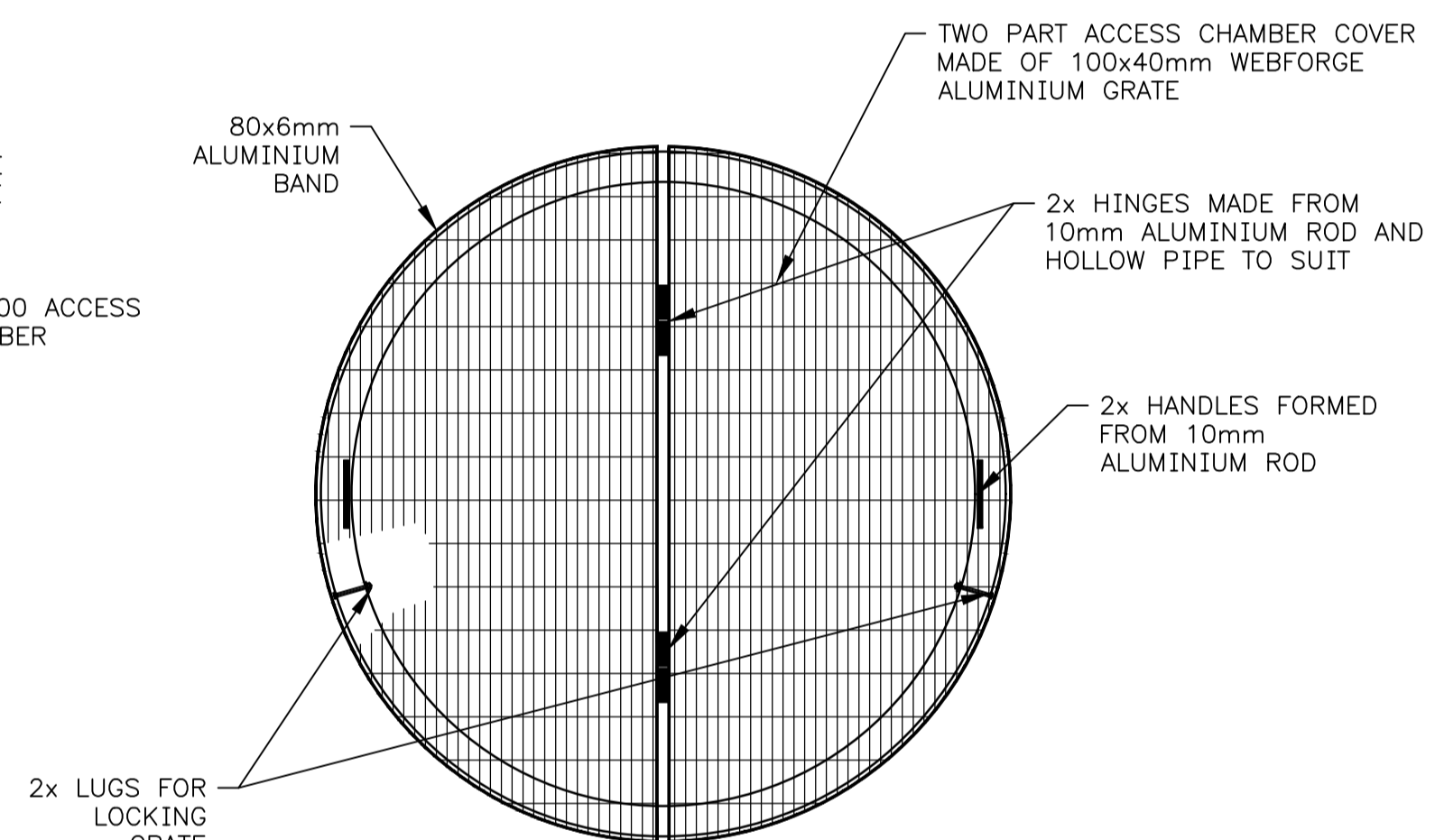


PLAN VIEW
SCALE 1:20

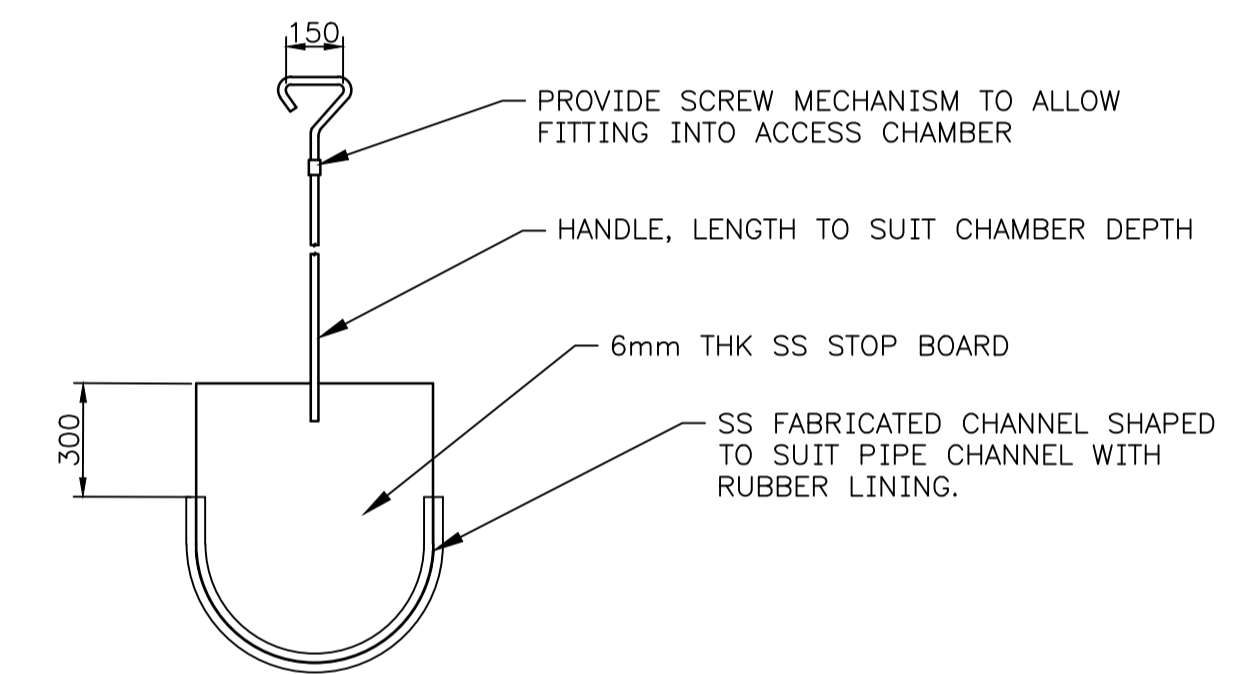
TYPICAL CHAMBER CONNECTION DETAIL



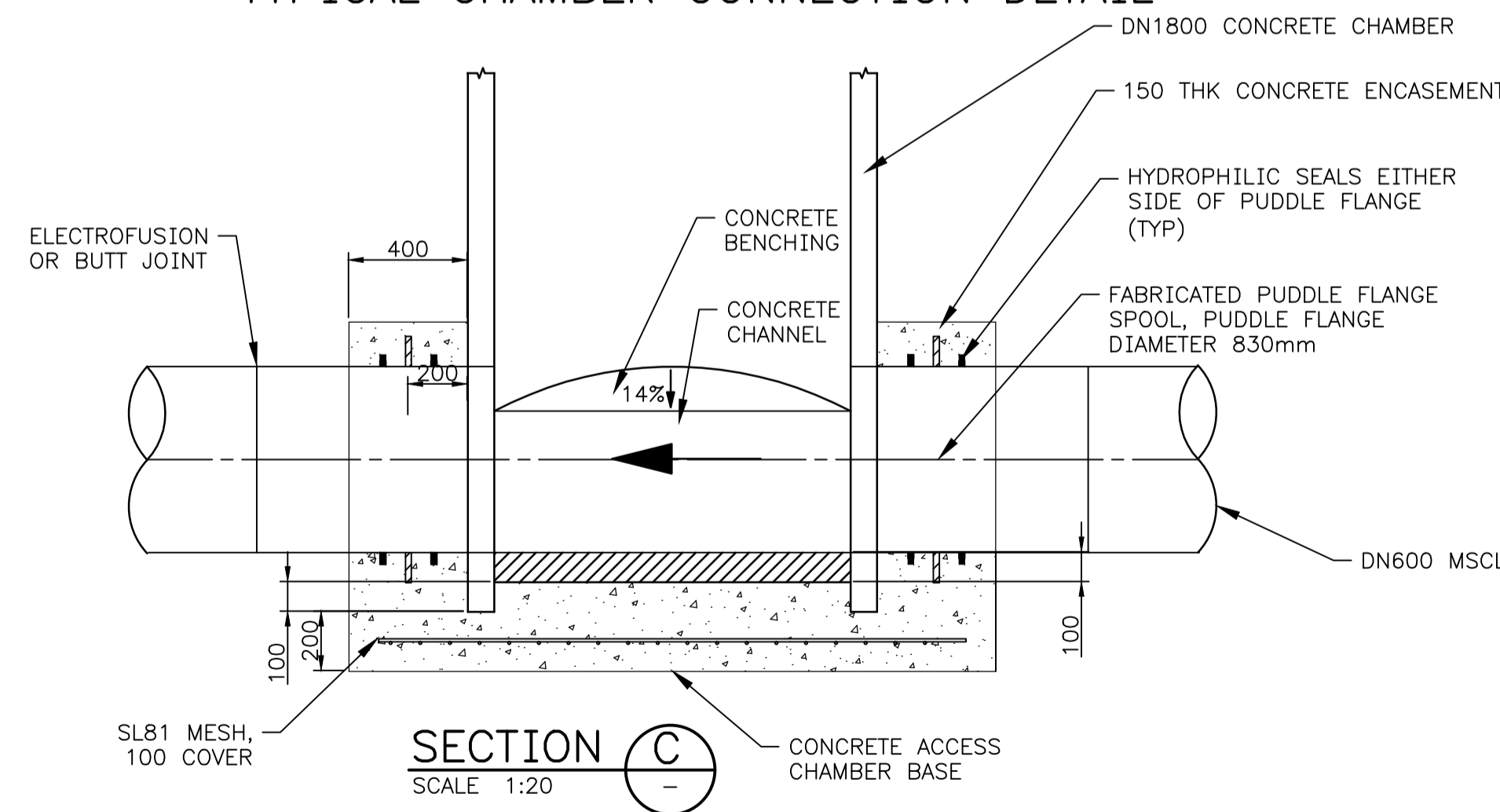
SECTION B
SCALE 1:20



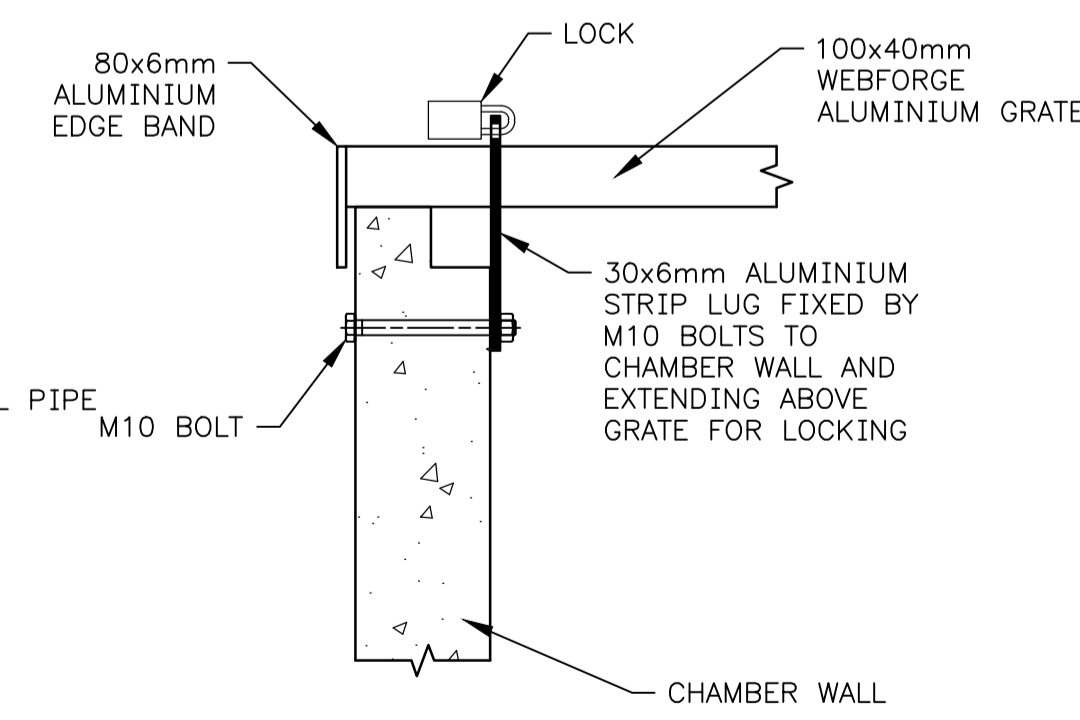
ACCESS CHAMBER COVER
PLAN VIEW
SCALE 1:20



DETAIL 1. STOP BOARD DETAIL
SCALE 1:20



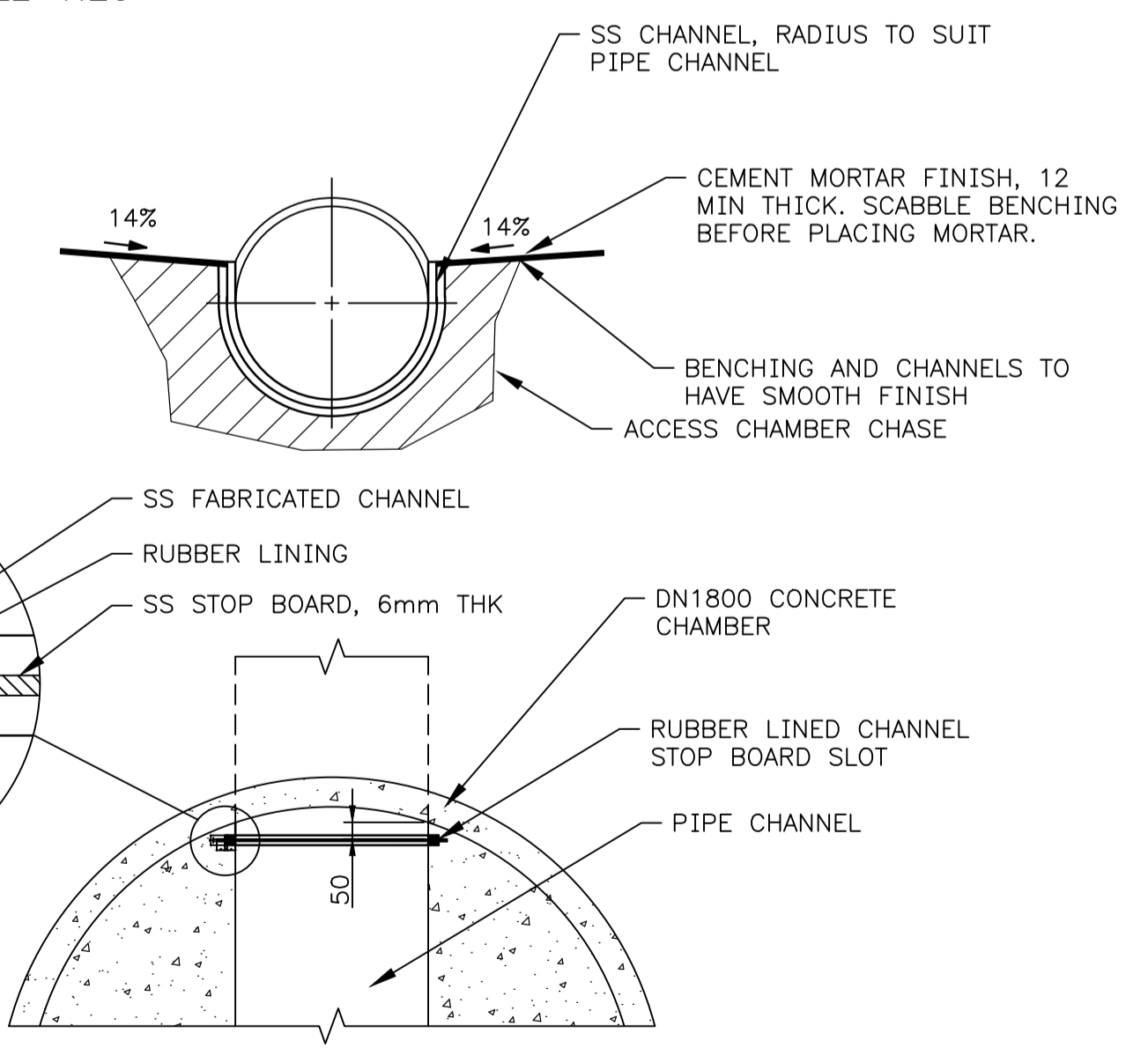
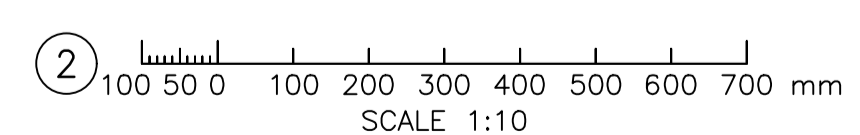
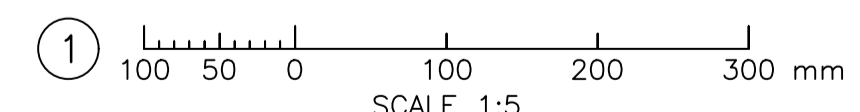
SECTION C
SCALE 1:20



DETAIL A
SCALE 1:5

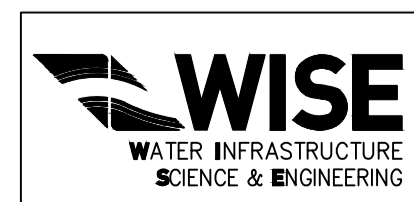
FABRICATED FIXTURES
CONTRACTOR TO SUBMIT SHOP DRAWINGS TO SUPERINTENDENT FOR APPROVAL PRIOR TO FABRICATION, DETAILS SHOWN HERE ARE INDICATIVE.

PRELIMINARY
NOT FOR CONSTRUCTION



TYPICAL STOP BOARD AND SLOT DETAIL
SCALE 1:10

- NOTES**
1. PLAN VIEW AND SECTION C PUDDLE FLANGE AND CONCRETE ENCASEMENT DETAILS APPLICABLE TO ALL ACCESS CHAMBER CONNECTOR PIPES. TYPE C ARRANGEMENT SHOWN ONLY.
 2. ALL CHASES TO GRADE SMOOTHLY TO OUTLET WITHOUT STEPPING OFF CHASE INVERT LEVELS DETAILED. REFER 11-S-003.
 3. ALL CONCRETE TO BE CLASS N32 AND CAST IN ACCORDANCE WITH AS3600.
 4. SL81 MESH TO BE CUT AROUND PIPE TO SUIT.
 5. MIN COVER TO REINFORCING TO BE 65mm.
 6. DETAILS OF STOPBOARDS SHOWN ARE MINIMUM INDICATIVE. ACCEPTANCE OF STOP BOARDS SHALL BE BASED ON PERFORMANCE SPECIFIED.



REV	DATE	AMENDMENT	DRN	APPD
1	23/03/26	POMD 1C.10- ISSUE FOR REVIEW		FJ
0	30/07/21	ISSUE FOR CONSTRUCTION		RB
B	08/07/20	ISSUED FOR TENDER		MGS
A	20/04/20	ISSUED FOR REVIEW		MGS



City of Kalgoorlie - Boulder
CITY SEWERAGE RETICULATION
SOUTH BOULDER WWTP
ACCESS CHAMBER DETAILS

DRAWN	MGS	SCALE	1:20, 1:10	REVISION	1
CHECKED	RLN	DATE	20 04 2020	SHEET	1 OF 1
11-S-006					ORIGINAL SIZE A1