



REV	BY	DATE	DESCRIPTION	CKD	APP
0		30.07.24	APPROVED FOR CONSTRUCTION FOR PN12177		

REV	BY	DATE	DESCRIPTION	CKD	APP

REV	BY	DATE	DESCRIPTION	CKD	APP

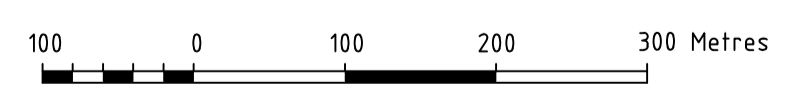
DRAWN		30.07.24
TRACED		30.07.24
CHECKED		30.07.24
SUPT DRAFT		30.07.24
LEAD ENG.		30.07.24
PROJECT ENG.		30.07.24
APPROVED		30.07.24

RioTinto
 HOPE DOWNS
 PROJECT ACCOMMODATION
 GENERAL ARRANGEMENT
 AREA PLAN

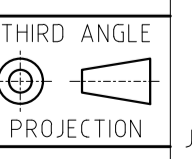
HAMERSLEY IRON PTY LTD
 HAMERSLEY HMS PTY LTD
 ROBE RIVER MINING COMPANY PTY LTD

SCALE 15000
 DRAWING NUMBER
HD-6200-A-00111
 PROJECT/JOB NUMBER PN12177

SCALE	15000
DRAWING NUMBER	HD-6200-A-00111
PROJECT/JOB NUMBER	PN12177
REV	0

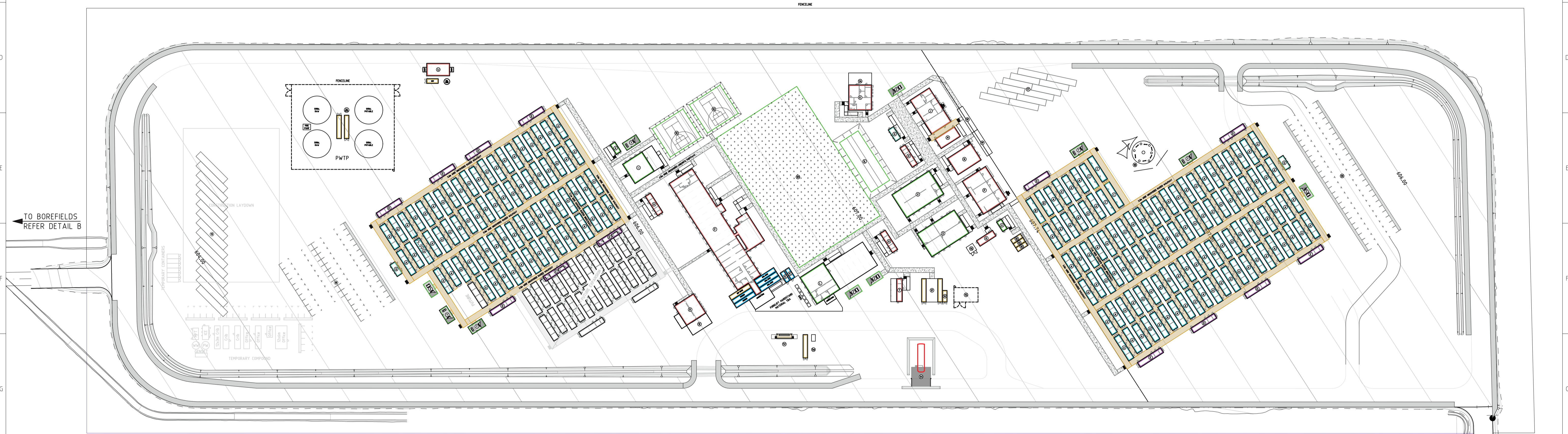
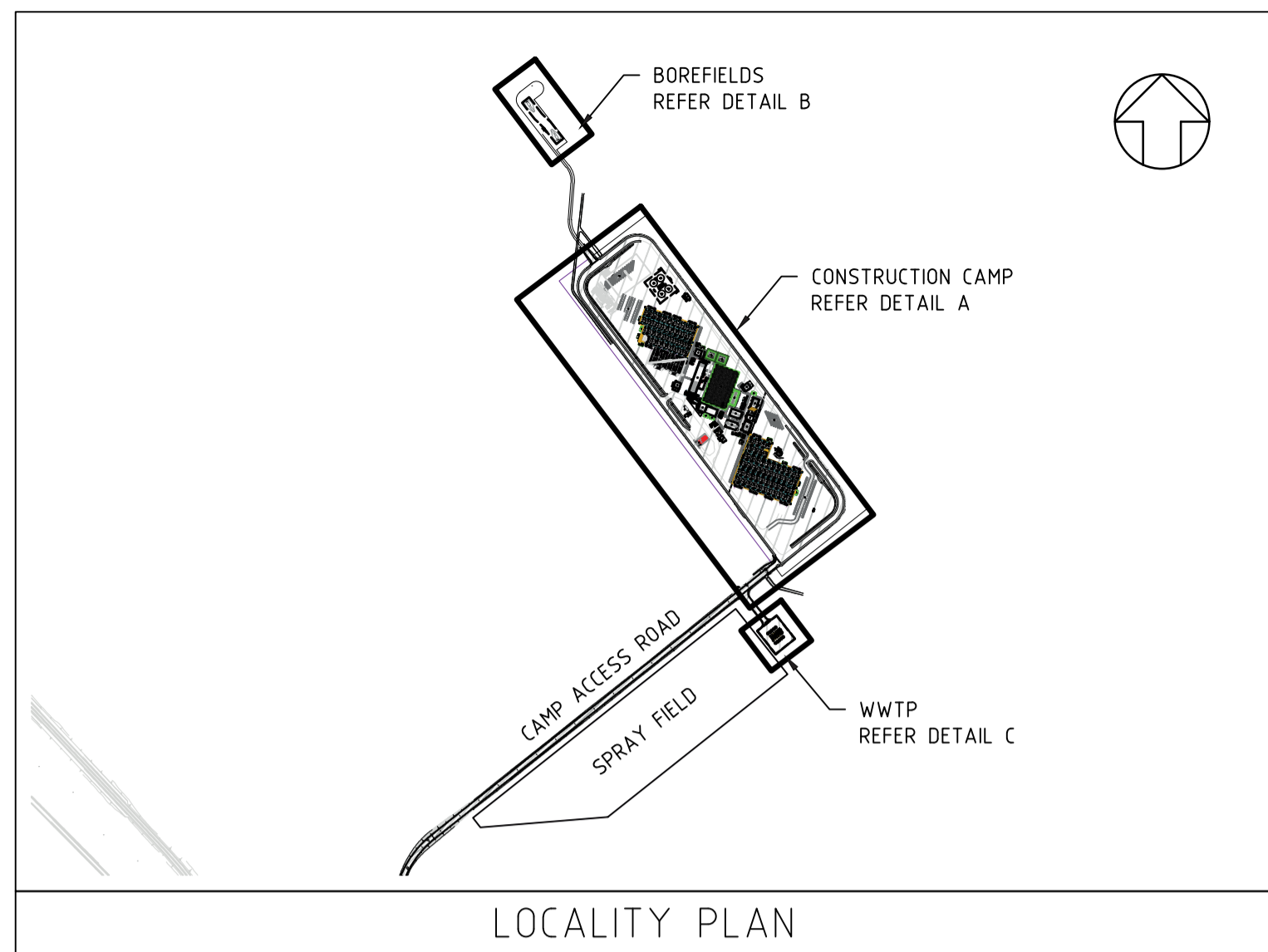


CAUTION
 PROJECT DRAWING ONLY

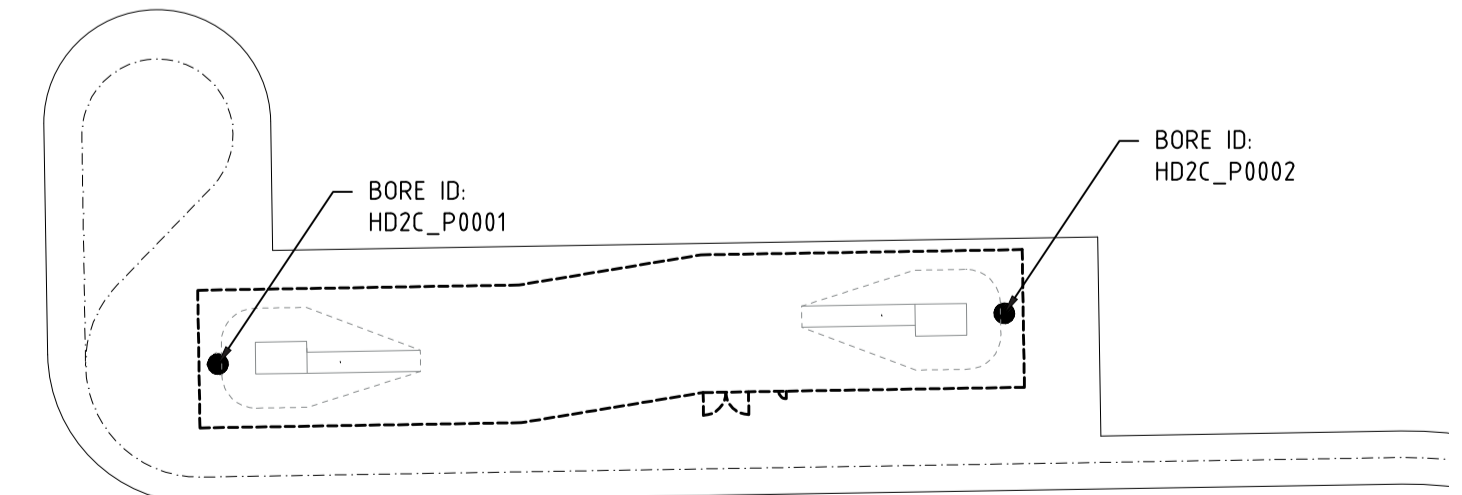


TAG	DESCRIPTION - CONTAINERS & IN-SITU WORKS	QTY
1A	AMBULANCE SHELTER	1
1B	YARNING CIRCLE	1
1C	20' REEFER (COOL ROOM)	2
1D	20' AIR CONDITIONED CONTAINER (OVERSIZED LUGGAGE STORAGE)	3
1E	12.0 X 6.0m COVERED HARDSTAND	1
1F	DOME SHELTER (INCL. 2 OFF 40' CONTAINERS)	1
1G	FENCED COMPOUND	1
1H	VEHICLE REFUELING BAY	1
1J	LIGHT VEHICLE WASH DOWN FACILITY	1
1K	MULTIPURPOSE COURT (HALF COURT)	2
1L	CRICKET COURT	1
1M	TURF FIELD	1
1P	BUS SHELTER	2
1Q	4.0 X 4.0m SATELLITE HARDSTAND	1
1R	LV PARKING	100
1S	HV PARKING	15
1T	BUS PARKING	12
1U	20' HAZCHEM CONTAINER	1
1V	CAMP MAIN SWITCHBOARD (INDICATIVE)	1
1W	GENERATORS & FUEL CELL (INDICATIVE)	1
Total		147

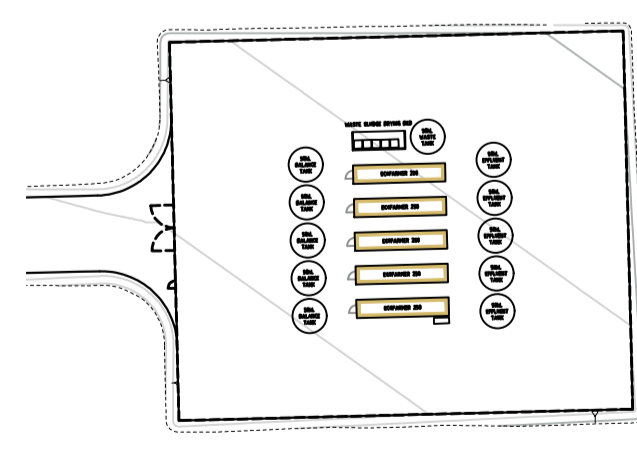
TAG	DESCRIPTION - MODULAR BUILDINGS	QTY
A	14.4 X 3.3m 4P ACCOMMODATION	171
B	14.4 X 3.3m 2P UA/ MANAGERS ACCOMMODATION	2
C	14.4 X 3.3m 2P TRADITIONAL CUSTODIANS ROOM	4
D	14.4 X 3.0m LAUNDRY, LINEN & CLEANERS	10
E	14.4 X 3.0m LAUNDRY, LINEN & CLEANERS (FOB ACCESS)	3
F	76.5 X 31.2m KITCHEN, DINING AND CRIB FACILITY	1
G	7.2 X 3.3m ICE ROOM	3
H	12.0 X 3.3m MFD	3
J	21.0 X 12.0m CAMP ADMINISTRATION, RECEPTION AND RETAIL OUTLET	1
K	13.2 X 12.0m MEDICAL FACILITY	1
L	35.5 X 19.5m SOCIAL HUB	1
M	12.0 X 9.0m TRAINING ROOM	1
N	14.4 X 10.2m TRANSIT FACILITY & LOUNGE	1
P	20.4 X 14.4m SHOWER BLOCK	1
Q	10.0 X 3.5m MAIN COMMUNICATIONS BUILDING	1
R	12.0 X 12.0m BULK LINEN	1
S	23.1 X 14.4m GYMNASIUM (FEMALE & GROUP FITNESS)	1
T	6.0 X 3.0m MAINTENANCE STAFF OFFICE & CRIB FACILITY	1
V	23.1 X 14.4m GYMNASIUM	1
W	18.0 X 12.0m RECREATION ROOM	1
X	6.0 X 3.0m WELLNESS/ MINDFULNESS ROOM	2
Y	8.0 X 4.0m BBQ SHELTER	5
Z	8.0 X 4.0m SMOKERS HUT	5
Total		221



CAMP SCALE 1:1000



BOREFIELDS SCALE 1:1000



WWTP SCALE 1:1000

Stamp No: TPL-DIM-002
Calibre

- A Approved
- AX Approved - Please submit Approved for Construction Drawing
- B Approved as noted Revise and resubmit
- C Not Approved Revise and resubmit for Approval
- D Information Only

Authorisation to proceed does not relieve the seller/contractor of any responsibility or liability under the Purchase Order or Contract

Signed: _____ Date: _____
Number: HD1SA1303/D01/0002
Rev No: 2



SCALE 1 : 1000

CAUTION
PROJECT DRAWING ONLY

REV	BY	DATE	DESCRIPTION
0		30.07.24	APPROVED FOR CONSTRUCTION FOR PN12177

REV	BY	DATE	DESCRIPTION	CKD	APP

REV	BY	DATE	DESCRIPTION	CKD	APP

DRAWN	TRACED	CHECKED	SUPT DRAFT	LEAD ENG.	PROJECT ENG.	APPROVED

RioTinto

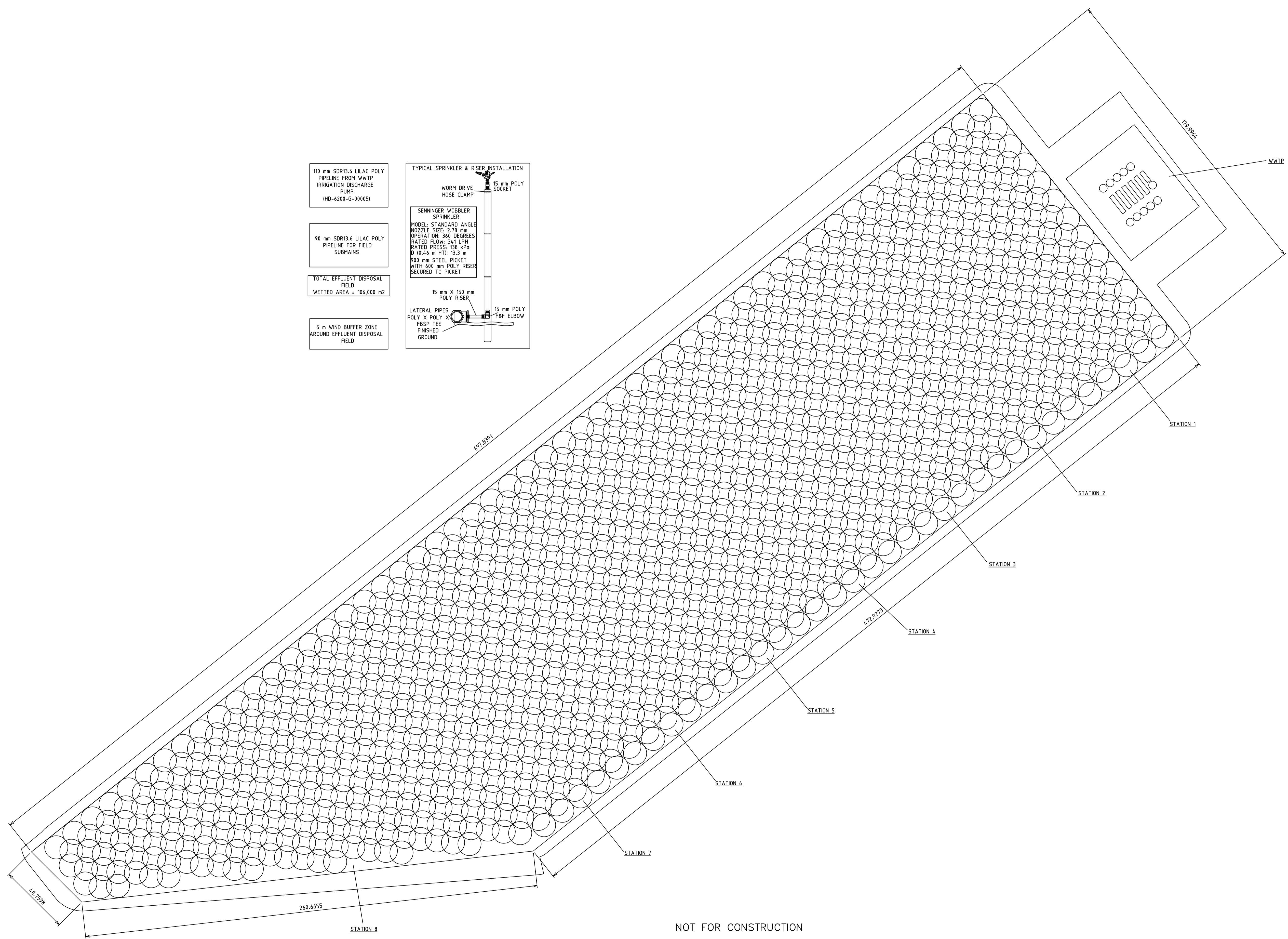
HOPE DOWNS
PROJECT ACCOMMODATION
GENERAL ARRANGEMENT
CAMP OVERALL

HAMERSLEY IRON PTY LTD
HAMERSLEY HMS PTY LTD
ROBE RIVER MINING COMPANY PTY LTD

INFORMATION AND REPRESENTATIONS ON THIS DRAWING ARE THE INTELLECTUAL PROPERTY OF THE RIO TINTO GROUP UNLESS SPECIFICALLY IDENTIFIED OTHERWISE. ALL RIGHTS INCLUDING USE RESERVED.

SCALE 1:1000
DRAWING NUMBER
HD-6200-A-00001
PROJECT/JOB NUMBER PN12177

THIRD ANGLE	PROJECTION	REV
		0

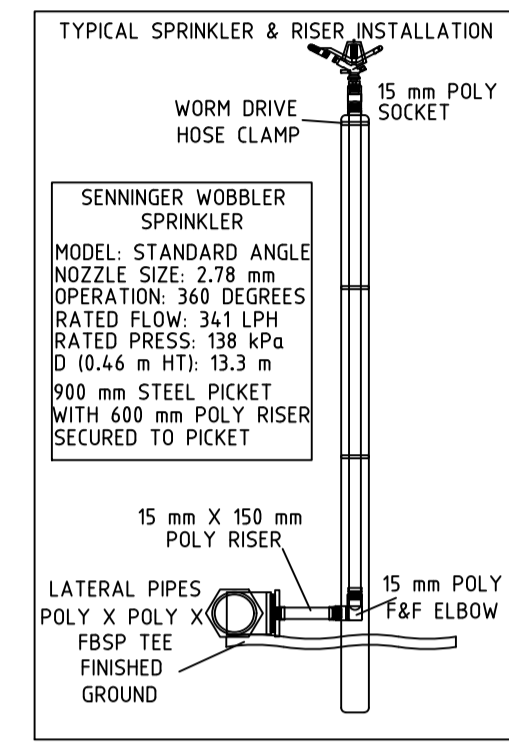


110 mm SDR13.6 LILAC POLY PIPELINE FROM WWTP IRRIGATION DISCHARGE PUMP (HD-6200-G-00005)

90 mm SDR13.6 LILAC POLY PIPELINE FOR FIELD SUBMAINS

TOTAL EFFLUENT DISPOSAL FIELD WETTED AREA = 106,000 m²

5 m WIND BUFFER ZONE AROUND EFFLUENT DISPOSAL FIELD



NOT FOR CONSTRUCTION
PRELIMINARY

575 SHEET SIZE: A1

REFERENCES	HD-6200-G-00001 PWTP GA SHEET 1
	HD-6200-G-00005 WWTP GA SHEET 1
	HD-6200-P-00001 WWTP DD SHEET 1

REV	BY	DATE	DESCRIPTION
A		9.08.24	DRAWING ADOPTED FOR PN12177 - ISSUED FOR REVIEW
B		6.09.24	DRAWING ADOPTED FOR PN12177 - ISSUED FOR REVIEW

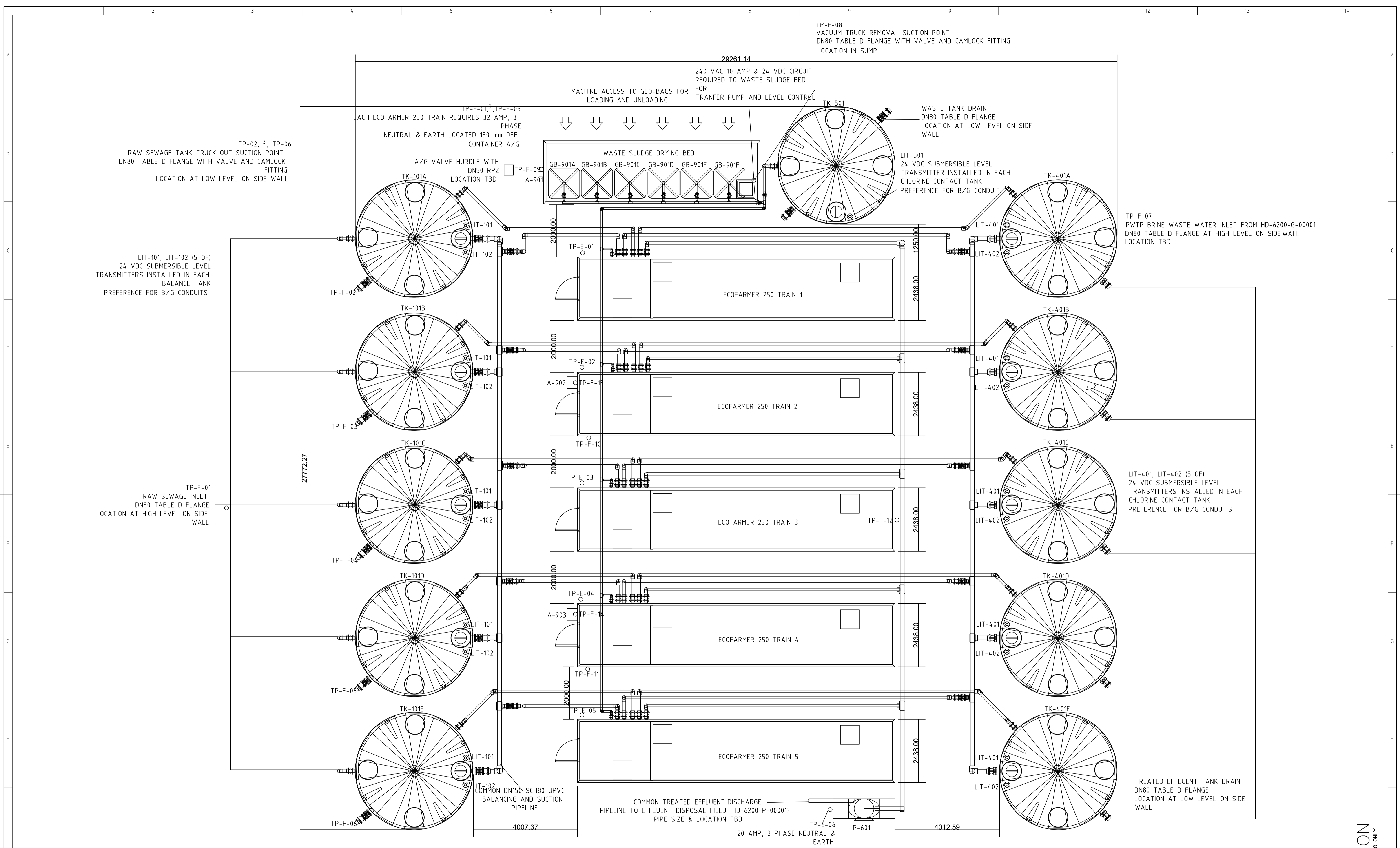
REV	BY	DATE	DESCRIPTION

CKD	APP	REV	BY	DATE	DESCRIPTION

DRAWN [REDACTED] 19.08.24
 TRACED [REDACTED]
 CHECKED [REDACTED]
 SUPT DRAFT [REDACTED]
 LEAD ENG. [REDACTED]
 PROJECT ENG. [REDACTED]
 APPROVED [REDACTED]

RioTinto ROBE RIVI
 HOPE DOWNS
 PROJECT ACCOMMODATION
 WWTP
 EFFLUENT DISPOSAL AREA DETAIL DRAWING

CAUTION
 PROJECT DRAWING ONLY



NOT FOR CONSTRUCTION
PRELIMINARY

CAUTION
PROJECT DRAWING ONLY

REV	BY	DATE	DESCRIPTION

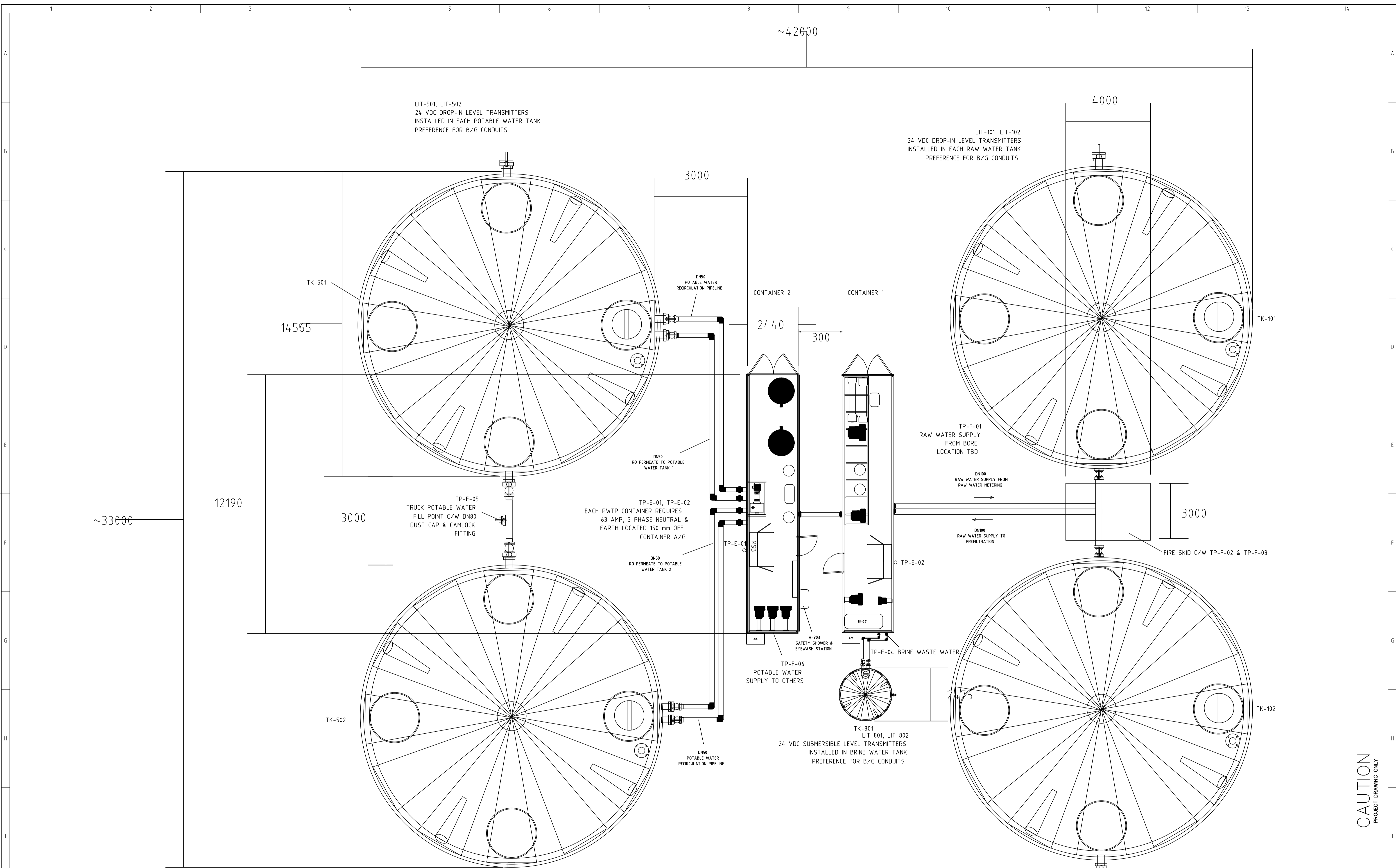
REV	BY	DATE	DESCRIPTION	CKD	APP

REV	BY	DATE	DESCRIPTION	CKD	APP

REV	BY	DATE	DESCRIPTION	CKD	APP

RioTinto
 HOPE DOWNS
 PROJECT ACCOMMODATION
 WWTP
 GENERAL ARRANGEMENT - SHEET 1

HD-6200-G-00001 PWTP GA SHEET 1 HD-6200-G-00005 WWTP GA SHEET 1 HD-6200-P-00001 WWTP DD SHEET 1	19.08.24 DRAWING ADOPTED FOR PN12177 - ISSUED FOR REVIEW	DRAWN: [REDACTED] TRACED: [REDACTED] CHECKED: [REDACTED] SUPT DRAFT: [REDACTED] LEAD ENG: [REDACTED] PROJECT ENG: [REDACTED] APPROVED: [REDACTED]	19.08.24	Hamersley Iron Pty Ltd Hamersley HMS Pty Ltd Robe River Mining Company Pty Ltd	INFORMATION AND REPRESENTATIONS ON THIS DRAWING ARE THE INTELLECTUAL PROPERTY OF THE RIO TINTO GROUP UNLESS SPECIFICALLY IDENTIFIED OTHERWISE. ALL RIGHTS INCLUDING USE RESERVED.	THIRD ANGLE PROJECTION
SCALE: NTS DRAWING NUMBER: HD-6200-G-00005 PROJECT/JOB NUMBER: PN12177	REV: A	UNCONTROLLED WHEN PRINTED				



NOT FOR CONSTRUCTION
PRELIMINARY

CAUTION
PROJECT DRAWING ONLY

REV	BY	DATE	DESCRIPTION	CKD	APP

REV	BY	DATE	DESCRIPTION	CKD	APP

REV	BY	DATE	DESCRIPTION	CKD	APP

DRAWN		19.08.24
TRACED		
CHECKED		
SUPT DRAFT		
LEAD ENG.		
PROJECT ENG.		
APPROVED		

RioTinto
 HAMERSLEY IRON PTY LTD
 HAMERSLEY HMS PTY LTD
 ROBE RIVER MINING COMPANY PTY LTD

HOPE DOWNS
 PROJECT ACCOMMODATION
 PWTP
 GENERAL ARRANGEMENT - SHEET 1

SCALE	NTS	THIRD ANGLE	
DRAWING NUMBER			
HD-6200-G-00001			
PROJECT/JOB NUMBER	PN12177		