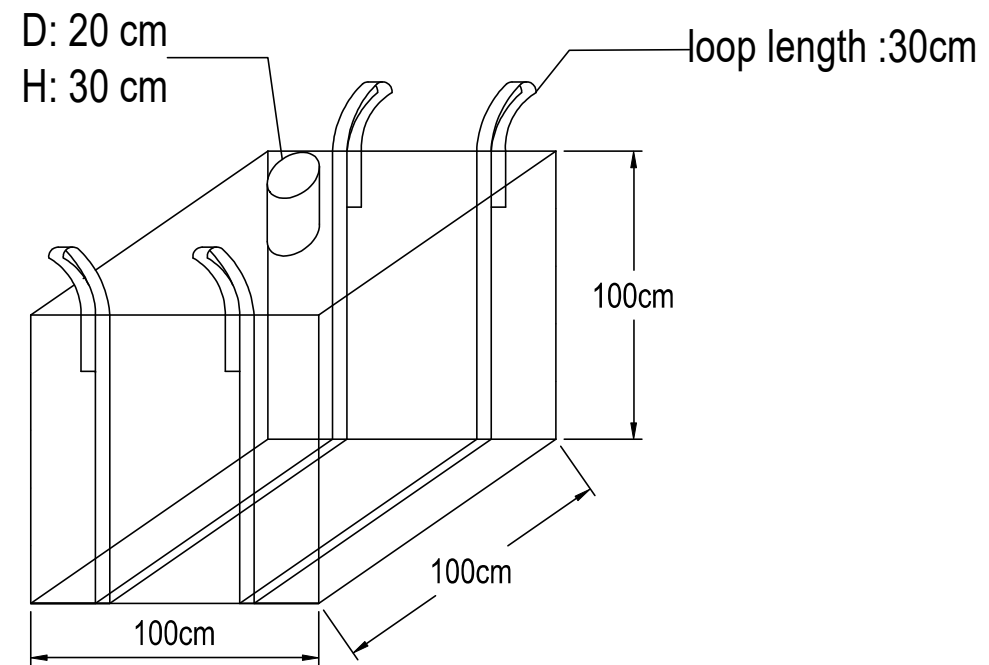


A. 1m Protube Bag



B. The Specification of Geotextile tube

Description of Geotextile			Test Standard
Geotextile	Polypropylene (PP)		
Tensile Strength - MD	kN/m	≥ 70	ASTM D4595
Tensile Strength - CD	kN/m	≥ 105	ASTM D4595
Elongation - MD	%	≤ 22	ASTM D4595
Elongation - CD	%	≤ 22	ASTM D4595
Tearing Strength - MD	N	≥ 850	ASTM D4533
Tearing Strength - CD	N	≥ 1400	ASTM D4533
Puncture Resistance	N	≥ 950	ASTM D4833
Permittivity	1/S	≥ 0.3	ASTM D4491
AOS, O_{95}	mm	≤ 0.5	ASTM D4751
Description of fabric			
Item	Unit	Value	Test Standard
Factory Seam Strength	kN/m	≥ 50	ASTM D4884