

Our Ref: ELP 2490, UID - 134716
Your Ref: W6529/2021/1

██████████
Manager – Resources Industries
Department of Water and Environmental
Regulation
Locked Bag 10
JOONDALUP WA 6919
Via email info@dwer.wa.gov.au

21 April 2022

Dear ██████████

W6529/2021/1 – Mobile Screening Facility 4 Environmental Compliance Report

IB Operations Pty Ltd (IBO) provides the Environmental Compliance Report (attached) as required under condition 2 of W6529/2021/1 (Works Approval). This report summarises compliance with construction of the Mobile Screening Facility 4 in accordance with condition 3 of the Works Approval.

Should you require further information, please contact me on ██████████ or ██████████

Yours sincerely

██████████
Approvals Compliance Principal, Iron Bridge Port and Pipelines

Enc.

Attachment 1 W6529/2021/1 – Mobile Screening Facility 4 Environmental Compliance Report (662NS-0000-RP-EN-0049)

Cc

██████████ – Approvals Compliance Manager, FMG
██████████ – Senior Environmental Advisor, FMG

Attachment 1: W6529/2021/1 – Mobile Screening Facility
4 Environmental Compliance Report



Report

W6529/2021/1 – Mobile Screening Facility 4 Environmental Compliance Report

Environmental – IB Operations Pty Ltd

21/04/2022

662NS-0000-RP-EN-0049 Rev 0

W6529/2021/1 – Mobile Screening Facility 4 Environmental Compliance Report

Document & Revision Number	662NS-0000-RP-EN-0049	Rev 0	14/03/2022
Status	IFU - Issued for Use		
Summary of Changes	NA		
Author	[REDACTED]		
Checked or Squad Review# (if applicable)	Checked		
Approved	[REDACTED]		
Access to this document:	Fortescue Staff & Contractors	Next Review Date (if applicable)	NA

Revision History (to be completed for each version retained by Document Control)

Author	Checker	Approver	Rev No.	Status	Issued Date
[REDACTED]	[REDACTED]	[REDACTED]	0	IFU	14/03/2022
Initial/Surname	Initial/Surname	Initial/Surname		Choose an item.	Click here to enter a date.

1. WORKS APPROVAL CONDITION COMPLIANCE

IB Operations Pty Ltd (IBO) was granted Works Approval W6529/2021/1 on 27 July 2021 to construct and operate a Category 12: Screening, etc of material of up to 1,000,000 tonnes per annum.

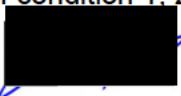
Mobile Screening Facility 4 (MSF CR0657) (serial number PM -149) was assembled within the Prescribed Premises as shown in Attachment 2, on 30 March 2022.

The following checklist details evidence of compliance relevant works approval conditions satisfy requirements of the Environmental Compliance Report for the mobile crushing and screening facility.

Reference	Requirement	Verification Comments	Evidence	Compliance Status (Y/N/Partial)
Infrastructure and equipment				
1	The works approval holder must install the infrastructure;			
	Construct and/or install the infrastructure containing the following components: (a) Total combined capacity not to exceed 1,000,000 tonnes per annum (each plant capable of 300 tph);	Escalator capacity is 174 m ³ /h with a screening capacity of 209m ³ /h Assuming a soil weight of 1.6 tonne per m ³ the max capacity is 278.4 tph . This Compliance Report is for the fourth of four padding machines for the Concentrate and Return Water Pipeline Envelope. Audit of Compliance Reports will be sent through within 30 days of assembly of the additional screening machines as appropriate. Current total combined capacity for the Concentrate and Return Water Pipeline project is approximately 400,000t (4 machines).	See photo 3 of Attachment 1.	Y
	(b) insulated engine; and	Diesel engine enclosed in an insulated hood.	See photo 5 & 6 of Attachment 1.	Y
	(c) adjustable conveyor dowel	Adjustable conveyor fitted.	See photos 7 & 8 of Attachment 1 displays conveyors and adjustable positions.	Y
	Construct and/or install the infrastructure containing the noise controls including exhaust and silencing systems which can function to manufacturers standard.	Mufflers and factory noise suppression fitted. Hearing protection still required as noise can be up to 114dB as per manufactures requirements.	See photo 9 & 11 Manufacturers Noise Standard	Y
	The works approval holder must install the infrastructure at the corresponding infrastructure location, as set out in Table 1.	MPC Kinetic, the contractor scheduled to complete the works, have a defined work area under contract #662NSC3027. This falls within the Prescribed Premises Boundary. The Prescribed Premises Boundary falls wholly within the tenements listed in Table 1 Works Approval W6529/2021/1, as shown in Attachment 2.	See Attachment 2.	Y

Reference	Requirement	Verification Comments	Evidence	Compliance Status (Y/N/Partial)
Compliance Reporting				
2	The works approval holder must, within 30 calendar days of an item of infrastructure or equipment required by condition 1 being constructed and/or installed.	MSF4 /CR0657 assembly was completed on the 30 March 2022 , this environmental compliance report was submitted within 30 days of machine assembly completion.	This report. Business Management System reference UID #134716	Y
	(a) undertake an audit of their compliance with the requirements of condition 1; and	The facility has been constructed to the requirements of Table 1 of the Works Approval, as per this report (UID- 134716) and shown in Attachments.	This report. Document no 662NS-0000-RP-EN-0049	Y
	(b) prepare and submit to the CEO an Environmental Compliance Report on that compliance.	This environmental compliance report (UID- 134716).	This report. Document no 662NS-0000-RP-EN-0049	Y
3	The Environmental Compliance Report required by condition 2 must include as a minimum the following:			
	(a) certification by a suitably qualified person that the items of infrastructure or component(s) thereof, as specified in condition 1, have been constructed in accordance with the relevant requirements specified in condition 1; and	The facility has been constructed to the requirements of Table 1 of the Works Approval, as detailed in this report.	Appendix 3	Y
	(b) be signed by a person authorised to represent the works approval holder and contains the printed name and position of that person.		Appendix 3	Y

I, Breneke Steyl confirm that the information contained in this report is true and correct. To my knowledge, MSF4 and this report meet the requirements of condition 1, 2 and 3 of Works Approval W6529/2019/1.

Signed: 

Date: 30/03/2022

Attachment 1: Photo Appendix

Mobile Screening Facility MSF 2 Photo Evidence



Photo 1: MSF4 CR0657 (PM-149 Padding Machine)

Photo 2: MSF4 CR0657 Fully Assembled Onsite

ESCALATOR		
TYPE	hydrostatic, variable speed	
MOTORS	N°2 fixed displacement piston motors	
FINAL DRIVES	planetary, in oil bath	
ROTATION	reversible	
CHAIN	double	
SHOES	1400 mm	55 inc
MAX. SPEED	80 m/min	262 ft/min
BLADE DEPTH (from ground)	350 mm	14 inc
MAX. BLADE HEIGHT (from ground)	1510 mm	60 inc
ESCALATOR CAPACITY*	174 m ³ /h	6145 ft ³ /h
*the output capacity mentioned here is just an indication as it depends on different factors such as the type of soil, moisture content, etc.		
SCREEN		
WIDTH	1900 mm	75 inc
LENGTH	3000 mm	118 inc
SCREEN AREA	5.7 m ²	61 ft ²
SCREENING CAPACITY (2" MESH)	209 m ³ /h	2 ft ³ /h
INTERCHANGEABLE MESH	12/10 mm	1/2-4 inc
NUMBER OF SCREENING LAYERS	1	1



Photo 3: MSF4 CR0657 Screening capacity

Photo 4: Screening Nameplate

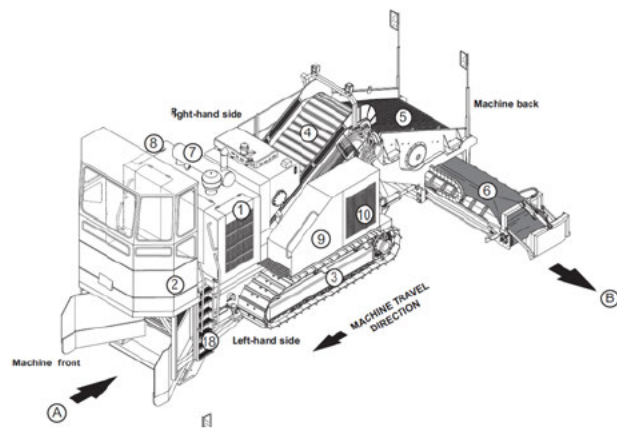
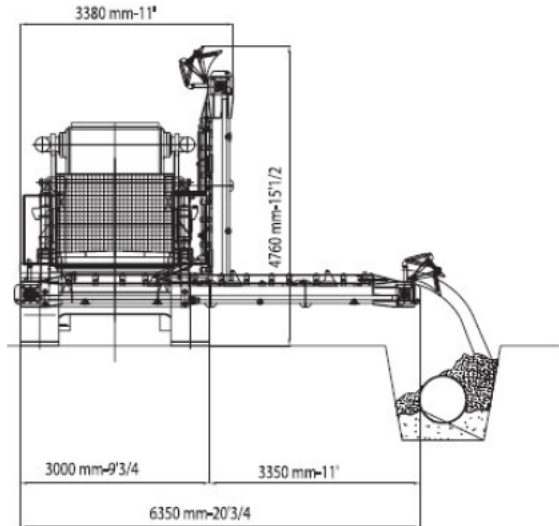
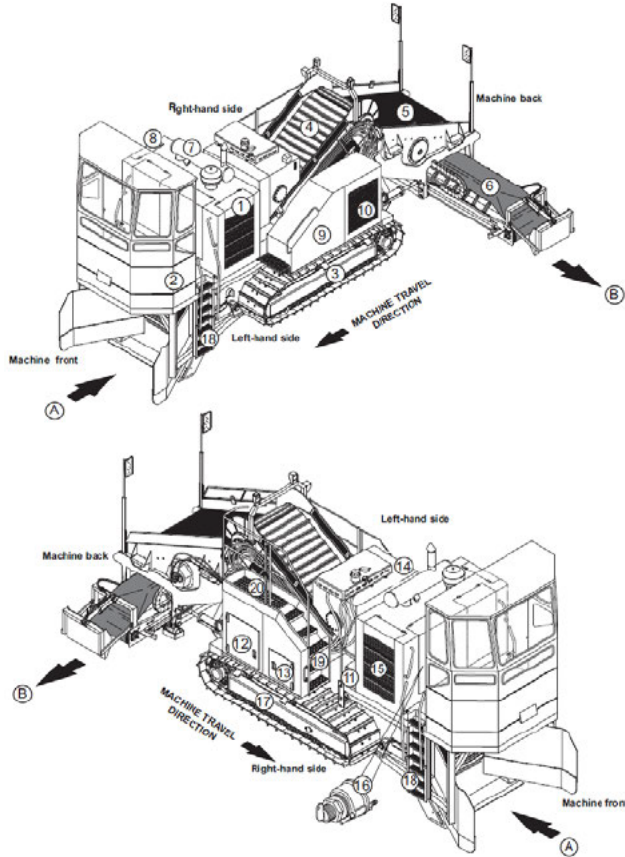


Photo 5: O&M Engine Enclosure

Photo 6: Engine Enclosure

Mobile Screening Facility MSF 2 Photo Evidence



The main machine parts are the following (refer to figure 2):

- 1) A diesel engine located inside the hood;
- 2) A driving platform - control platform;
- 3) A left-hand side track;
- 4) An escalator;
- 5) A screening shaker;
- 6) A side unloading conveyor belt;
- 7) An unloading muffler;
- 8) A hood with doors giving access to the engine compartments that are located both at the machine front and back;
- 9) A fuel tank (diesel);
- 10) A radiator to cool the hydraulic system oil down;
- 11) A service ladder at the machine back;
- 12) A compartment for hydraulic valves;
- 13) A tool box;
- 14) A hydraulic oil reservoir;
- 15) An engine cooling radiator;
- 16) A master switch for the electric system. This key switch controls power supply to the entire electric system of the machine. It is located inside the engine hood near the cooling radiator;

Photo 7: Conveyors

1.6 LEVEL

SOUND LEVEL: The sound level was calculated according to standard ISO 3746 and the results of these calculations are the following:

- Noise pressure with operator and machine on working, with doors open L_{pA} 93,8 dB (A)
- Noise pressure with operator and machine on working, with doors close L_{pA} 78,4 dB (A)
- Noise power L_{wA} 118,7 dB (A)

According to these results the operator is compelled to wear headphones to protect his hearing.

⚠ DANGER

When using the machine the operator must wear ear defenders (headphones, etc.).

VIBRATIONS LEVEL: The vibrations level is (Body assy): 1.1 m/sec².

Photo 8: Adjustable Conveyor



Photo 9: Manufacturer's Noise Standard

Photo 10: Muffler as per O&M Manual

Mobile Screening Facility MSF 2 Photo Evidence



Photo 11: Noise Monitoring

Mobile Screening Facility MSF 2 Photo Evidence

Noise Monitoring of Padder Machine 4 (CR 0657)		
Project and Site Location:	Iron Bridge Pipeline Project - CR/WP	
Name and Position:	Breneke Steyl, Lead Engineer	
Date & Time:	08/04/2022 at 14:28pm	
Observations and Comments:	Pre-compliance noise checks for the padder machine.	
Parameter	ISO3746 Standard (dB)	Field Test Results (dB)
Noise pressure with operator & machine on working, with doors open	LpA 93.8	LpA 75.4
Noise pressure with operator & machine on working, with doors closed	LpA 78.4	LpA 65.9
Noise power	LwA 118.7	LwA 71.8



a) Inside cab, doors closed



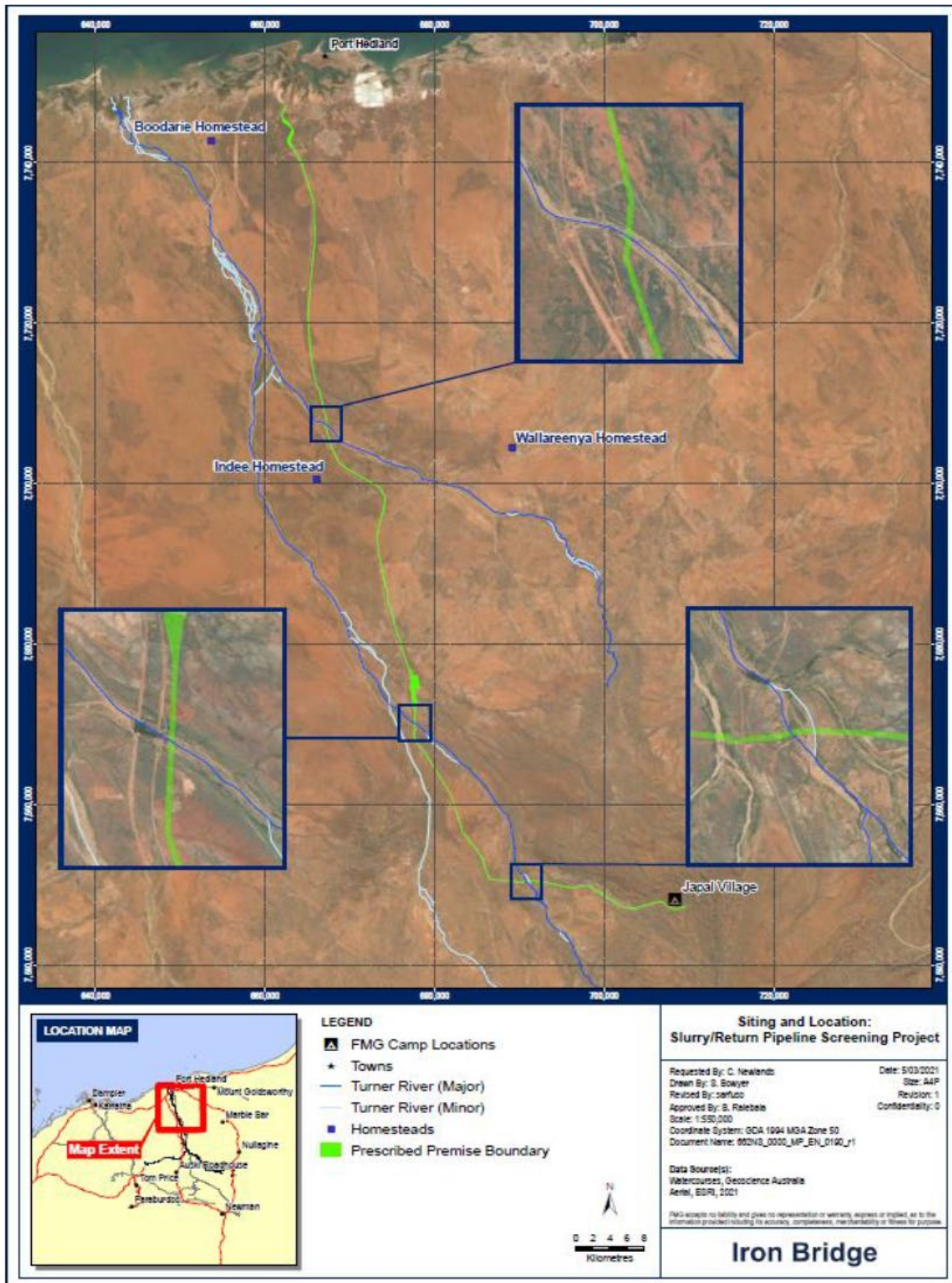
b) Inside cab, doors open



c) outside while machine operating

Photo 12: Noise Monitoring

Attachment 2: MSF Prescribed Premises Boundary



Attachment 3: Authorised Person Credentials



Nasionale · National Diploma

INGENIEURSWESE: SIVIEL
ENGINEERING: CIVIL

word toegeken aan · is awarded to



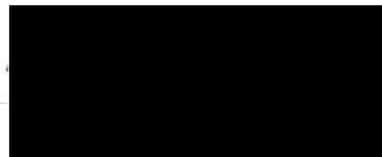
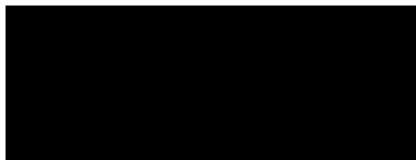
Geboortedatum · Date of Birth



Studentenommer · Student Number



met ingang van · with effect from



Nr/No.: A17642