



# Works Approval

**Works approval number** W6928/2024/1

**Works approval holder** Pilbara Iron Company (Services) Pty Ltd

**ACN** 107 210 248

**Registered business address** Central Park, Level 18  
152-158 St Georges Terrace,  
Perth WA 6000

**DWER file number** DER2024/000136

**Duration** 29/07/2024 to 29/07/2029

**Date of issue** 29/07/2024

**Premises details** Dampier Wastewater Treatment Plant  
21 The Esplanade  
Dampier WA 6713

Legal description -  
Lot 362 on Deposited Plan 14280

Prescribed premises category description (Schedule 1, <i>Environmental Protection Regulations 1987</i> )	Assessed design capacity
Category 54 Sewage facility: premises – (a) on which sewage is treated (excluding septic tanks); or (b) from which treated sewage is discharged onto land or into waters.	900 m <sup>3</sup> per day

This works approval is granted to the works approval holder, subject to the attached conditions, on 29 July 2024, by:

**Abbie Crawford**

**MANAGER, WASTE INDUSTRIES**

an officer delegated under section 20 of the *Environmental Protection Act 1986* (WA)

## Instrument history

Date	Reference number	Summary of changes
06/06/2013	L6755/1996/9	Licence granted.
29/04/2016	L6755/1996/9	Notice of Amendment of Licence expiry dates. Licence expiry date amended to 5 June 2026.
29/07/2024	W5475/2014/1	Works approval granted.

## Interpretation

In this works approval:

- (a) the words ‘including’, ‘includes’ and ‘include’ in conditions mean “including but not limited to”, and similar, as appropriate;
- (b) where any word or phrase is given a defined meaning, any other part of speech or other grammatical form of that word or phrase has a corresponding meaning;
- (c) where tables are used in a condition, each row in a table constitutes a separate condition;
- (d) any reference to an Australian or other standard, guideline, or code of practice in this works approval:
  - (i) if dated, refers to that particular version; and
  - (ii) if not dated, refers to the latest version and therefore may be subject to change over time;
- (e) unless specified otherwise, any reference to a section of an Act refers to that section of the EP Act; and
- (f) unless specified otherwise, all definitions are in accordance with the EP Act.

**NOTE:** This works approval requires specific conditions to be met but does not provide any implied authorisation for other emissions, discharges, or activities not specified in this works approval.

## Works approval conditions

The works approval holder must ensure that the following conditions are complied with:

### Construction phase

#### Infrastructure and equipment

1. The works approval holder must:
  - (a) construct the infrastructure;
  - (b) in accordance with the corresponding design and construction requirements; and
  - (c) at the corresponding infrastructure location; as set out in Table 1.

**Table 1: Design and installation requirements**

Infrastructure	Design and construction requirements	Infrastructure location
Storage tank	Construction and installation of 1 x 300 kL storage tank.	As depicted in Schedule 1

#### Compliance reporting

2. The works approval holder must within 30 calendar days of an item of infrastructure required by condition 1 being constructed:
  - (a) undertake an audit of their compliance with the requirements of condition 1; and
  - (b) prepare and submit to the CEO an Environmental Compliance Report on that compliance.
3. The Environmental Compliance Report required by condition 2, must include as a minimum the following:
  - (a) photographic evidence and a detailed site plan for the item of infrastructure specified in condition 1; and
  - (b) be signed by a person authorised to represent the works approval holder and contains the printed name and position of that person.

### Time limited operations phase

#### Commencement and duration

4. The works approval holder may only commence time limited operations for an item of infrastructure identified in condition 1 where the Environmental Compliance Report as required by condition 3 has been submitted by the works approval holder for that item of infrastructure.
5. The works approval holder may conduct time limited operations for an item of infrastructure specified in condition 1:
  - (a) for a period not exceeding 180 calendar days from the day the works approval holder meets the requirements of condition 4 for that item of infrastructure; or
  - (b) until such time as a licence amendment for that item of infrastructure is granted in accordance with Part V of the *Environmental Protection Act 1986*, if one is granted before the end of the period specified in condition 5(a).

6. The works approval holder must ensure that the premises infrastructure and equipment listed in Table 2 and located at the corresponding infrastructure location is maintained and operated in accordance with the corresponding operational requirement set out in Table 2.

**Table 2: Operational requirements during time limited operations**

Infrastructure	Operational requirements
Storage tank	To be operated and maintained as free of leaks and defects to hold up to 300 kL.

### Waste acceptance and processing

7. The works approval holder must only accept onto the premises waste of a waste type, which does not exceed the corresponding rate at which waste is received, and which meets the corresponding acceptance specification set out in Table 3.

**Table 3: Waste acceptance during time limited operations**

Waste type	Rate at which waste is received	Acceptance specification
Sewage	900 m <sup>3</sup> per day	Accepted through sewer inflows only

8. The works approval holder must ensure that the waste types specified in Table 4 are only subjected to the corresponding processes, process limits and/or specifications.

**Table 4: Waste processing during time limited operations**

Waste type	Processes	Process limits and/or specifications
Sewage	Physical and biological treatment	Treatment of sewage must not exceed the treatment capacity of 900 m <sup>3</sup> per day (as a monthly average)

9. The works approval holder shall immediately recover, or remove and dispose of, spills of sewage or treated wastewater, whether inside or outside an engineered containment system.
10. The works approval holder shall ensure that all material used for the recovery, removal, and/or disposal of sewage or treated wastewater is stored in an impermeable container prior to disposal at an appropriately authorised facility.

## Emissions and limits

11. The works approval holder must manage and operate the premises such that odours emanating from the premises do not unreasonably interfere with the health, welfare, convenience, comfort or amenity of any person.
12. The works approval holder must ensure that the emissions specified in Table 5, are discharged only from the corresponding discharge points, at the discharge locations and subjected to the corresponding specifications.

**Table 5: Authorised discharge points to land and water during time limited operations**

Emission	Discharge point	Discharge specification
Treated wastewater	Tank 1 Outlet (HIP09) (As depicted in Figure 2 of Schedule 1)	Discharges are to be primarily to the grounds of the WWTP and the City of Karratha reuse network consisting of: <ul style="list-style-type: none"> <li>• Dampier Oval;</li> <li>• Hampton Oval;</li> <li>• Hardey Reserve;</li> <li>• Fitzroy Park (Drainage Reserve 42159); and</li> <li>• The Esplanade.</li> </ul> Discharges to land are to be at a rate of Total Nitrogen at 480 kg/ha/yr and Total Phosphorus at 120 kg/ha/yr.
	Flume outflow to ocean (As depicted in Figure 2 of Schedule 1)	Discharges to the ocean are limited to those surplus to the requirements of the City of Karratha reuse network.

13. The works approval holder must ensure that the emissions from the discharge point listed in Table 6 do not exceed the corresponding limits when monitored in accordance with condition 19.

**Table 6: Emission limits during time limited operations**

Discharge point	Parameter	Concentration limit
Tank 1 Outlet (HIP09)	<i>E. coli</i>	< 1000 cfu/100 mL
	pH	6.5 – 8.5
	Biochemical Oxygen Demand	< 20 mg/L
	Total Dissolved Solids	3,000 mg/L
	Total Suspended Solids	< 30 mg/L
	Nitrate-Nitrogen	< 30 mg/L
	Nitrite-Nitrogen	< 10 mg/L
	Total Nitrogen	< 50 mg/L
Total Phosphorus	< 12 mg/L	

## Monitoring during time limited operations

- 14.** The works approval holder must ensure that:
- (a) all water samples are collected and preserved in accordance with AS/NZS 5667.1;
  - (b) all surface water sampling is conducted in accordance with AS/NZS 5667.6;
  - (c) all wastewater sampling is conducted in accordance with AS/NZS 5667.10;
  - (d) all groundwater sampling is conducted in accordance with AS/NZS 5667.11;
  - (e) all microbial samples are collected and preserved in accordance with AS/NZS 2031;
  - (f) all sample analysis must be undertaken by laboratories with current accreditation from the National Association of Testing Authorities (NATA) for the relevant parameters, unless indicated otherwise in the relevant table.
- 15.** The works approval holder must ensure that:
- (a) monitoring is undertaken in each monthly period such that there are at least 15 days in between the days on which samples are taken in successive months;
  - (b) monitoring is undertaken in each quarterly period such that there are at least 45 days in between the days on which samples are taken in successive quarters; and
  - (c) monitoring is undertaken in each six-monthly period such that there are at least 5 months in between the days on which samples are taken in successive six-monthly periods.
- 16.** The works approval holder must ensure that all monitoring equipment used to comply with conditions 18 and 19 are operated and calibrated in accordance with the manufacturer's specifications.
- 17.** The works approval holder must, where the requirements for calibration cannot be practicably met, or a discrepancy exists in the interpretation of the requirements, bring these issues to the attention of the CEO accompanied with a report comprising details of any modifications to the methods.

18. The works approval holder must undertake the monitoring of inputs and outputs in accordance with Table 7.

**Table 7: Monitoring of inputs and outputs during time limited operations**

Input/Output	Monitoring point	Parameter	Unit	Averaging Period	Frequency
Sewage	Inflow point to WWTP	Volumetric flow rate (cumulative)	m <sup>3</sup> per day	Monthly	Continuous
Treated wastewater	Grounds of WWTP	Volumetric flow rate (cumulative)	m <sup>3</sup> per day	Monthly	Continuous
	Main to reuse network	Volumetric flow rate (cumulative)	m <sup>3</sup> per day	Monthly	Continuous
	Flume outflow to ocean	Volumetric flow rate (cumulative)	m <sup>3</sup> per day	Monthly	Continuous
Sludge	N/A	Weight	Tonnes	Each load removed from the premises	N/A

19. The works approval holder must undertake the monitoring of treated wastewater in accordance with Table 8.

**Table 8: Emissions and discharge monitoring during time limited operations**

Monitoring location	Parameter	Unit	Frequency
Tank 1 Outlet (HIP09)	pH	pH units	Quarterly
	Biochemical Oxygen Demand	mg/L	
	Total Dissolved Solids	mg/L	
	Total Suspended Solids	mg/L	
	Nitrate-Nitrogen	mg/L	
	Nitrite-Nitrogen	mg/L	
	Ammonium-Nitrogen	mg/L	
	Total Nitrogen	mg/L	
	Total Phosphorus	mg/L	
	Free Chlorine	mg/L	
	<i>E. coli</i>	cfu/100 mL	
Metals: Arsenic, Copper, Lead, Mercury and Zinc.	mg/L	Six-monthly	

## Records and reporting

- 20.** The works approval holder must record the following information in relation to complaints received by the works approval holder (whether received directly from a complainant or forwarded to them by the Department or another party) about any alleged emissions from the premises:
- (a) the name and contact details of the complainant, (if provided);
  - (b) the time and date of the complaint;
  - (c) the complete details of the complaint and any other concerns or other issues raised; and
  - (d) the complete details and dates of any action taken by the works approval holder to investigate or respond to any complaint.
- 21.** The works approval holder must maintain accurate and auditable books including the following records, information, reports, and data required by this works approval:
- (a) the works conducted in accordance with condition 1;
  - (b) any maintenance of infrastructure that is performed in the course of complying with condition 6;
  - (c) monitoring programmes undertaken in accordance with conditions 18 and 19;
  - (d) monthly average data in kg/ha/day and kg/ha/year for each contaminant (excluding pH and *E. coli*) in treated wastewater discharged from the premises; and
  - (e) complaints received under condition 20.
- 22.** The books specified under condition 21 must:
- (a) be legible;
  - (b) if amended, be amended in such a way that the original version(s) and any subsequent amendments remain legible and are capable of retrieval;
  - (c) be retained by the works approval holder for the duration of the works approval; and
  - (d) be available to be produced to an inspector or the CEO as required.
- 23.** The works approval holder must submit to the CEO a report on the time limited operations within 30 calendar days of the completion date of time limited operations or 30 calendar days before the expiration date of the works approval, whichever is the sooner.
- 24.** The works approval holder must ensure the report required by condition 23 includes the following:
- (a) a summary of the information contained in condition 21;
  - (b) a summary of the environmental performance of all infrastructure as constructed;
  - (c) a review of performance and compliance against the conditions of the works approval; and
  - (d) where the manufacturer's design specifications and the conditions of this works approval have not been met, what measures will the works approval holder take to meet them, and what timeframes will be required to implement those measures.



## Definitions

In this works approval, the terms in Table 9 have the meanings defined.

**Table 9: Definitions**

Term	Definition
books	has the same meaning given to that term under the EP Act.
CEO	means Chief Executive Officer. CEO for the purposes of notification means: Director General Department administering the <i>Environmental Protection Act 1986</i> Locked Bag 10 Joondalup DC WA 6919 <a href="mailto:info@dwer.wa.gov.au">info@dwer.wa.gov.au</a>
Department	means the department established under section 35 of the <i>Public Sector Management Act 1994</i> and designated as responsible for the administration of Part V Division 3 of the EP Act.
discharge	has the same meaning given to that term under the EP Act.
emission	has the same meaning given to that term under the EP Act.
Environmental Compliance Report	means a report to satisfy the CEO that the conditioned infrastructure and/or equipment has been constructed and/or installed in accordance with the works approval.
EP Act	<i>Environmental Protection Act 1986</i> (WA).
EP Regulations	<i>Environmental Protection Regulations 1987</i> (WA).
monthly period	means a one-month period commencing from day 1 of a month until the final day of that same month.
premises	the premises to which this licence applies, as specified at the front of this licence and as shown on the premises map (Figure 1) in Schedule 1 to this works approval.
prescribed premises	has the same meaning given to that term under the EP Act.
time limited operations	refers to the operation of the infrastructure and equipment identified under this works approval that is authorised for that purpose, subject to the relevant conditions.
waste	has the same meaning given to that term under the EP Act.
works approval	refers to this document, which evidences the grant of the works approval by the CEO under section 54 of the EP Act, subject to the conditions.
works approval holder	refers to the occupier of the premises being the person to whom this works approval has been granted, as specified at the front of this works approval.

---

### END OF CONDITIONS

## Schedule 1: Maps

### Premises map

The boundary of the prescribed premises is shown in the map below (Figure 1).



**Figure 1: Map of the boundary of the prescribed premises**

### Schematic diagram

The schematics of the premises is shown in the figure below (Figure 2).

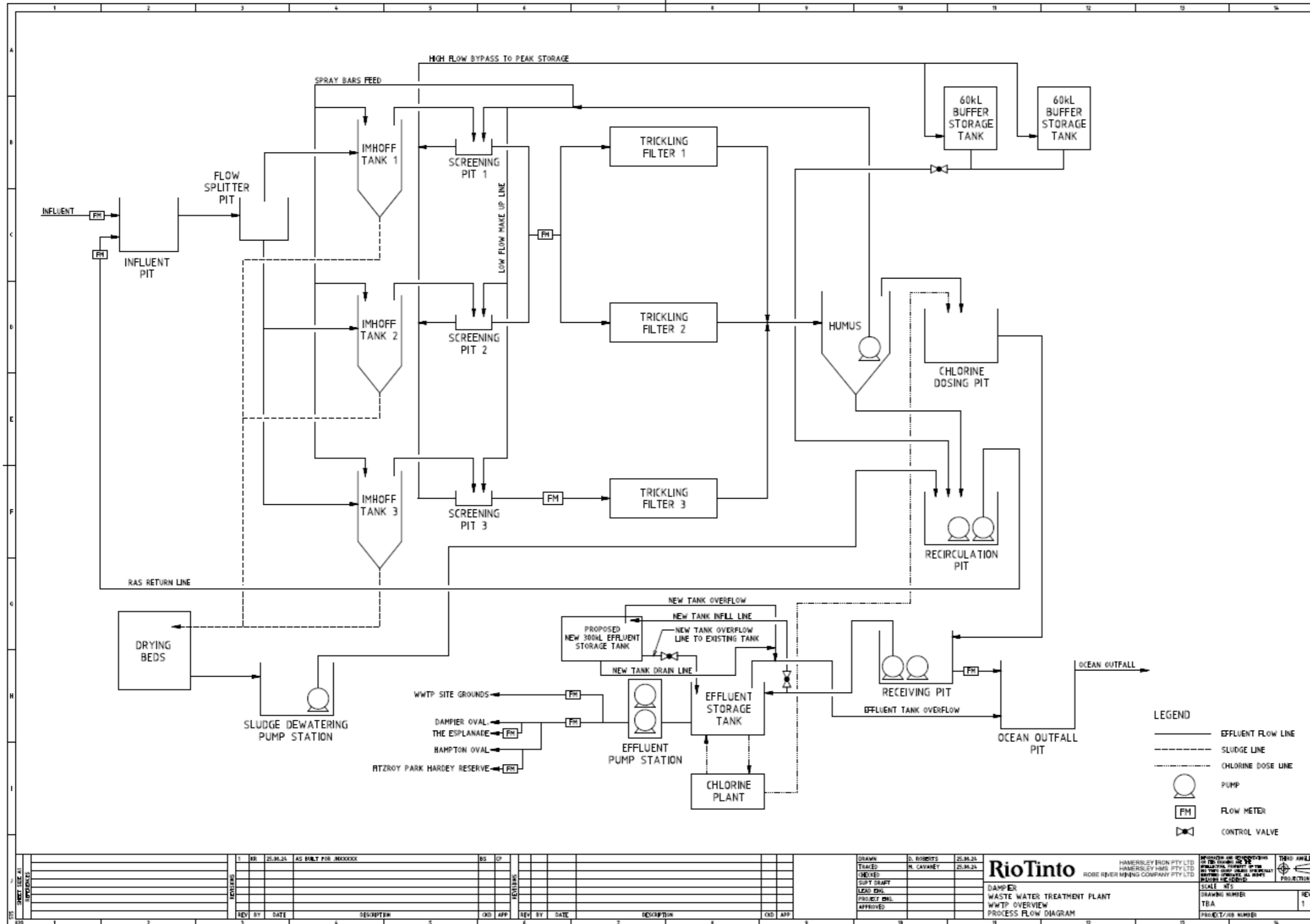


Figure 2: Premises schematic diagram

### Infrastructure map

The location of the new infrastructure at the premises is shown in the figure below (Figure 3).

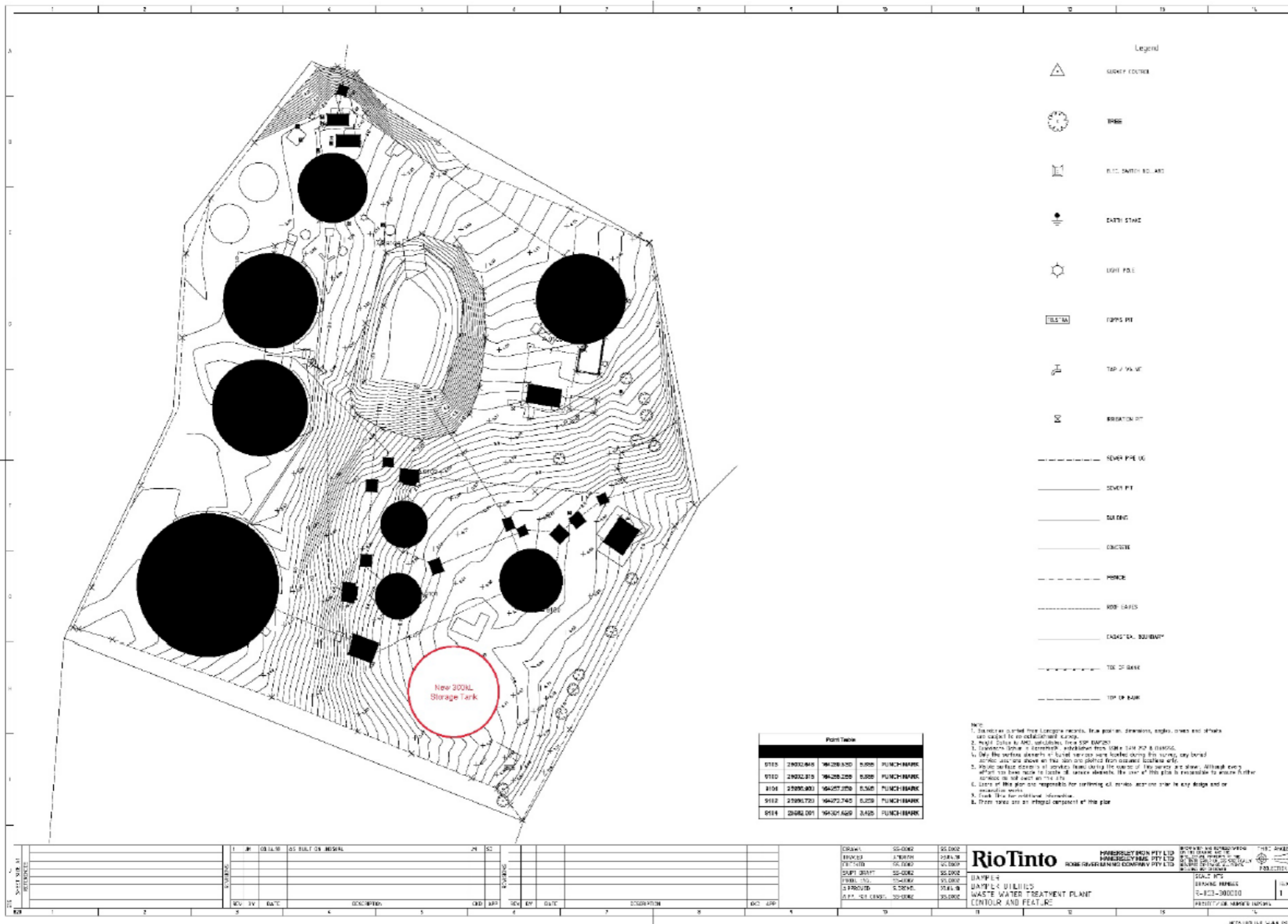


Figure 3: Infrastructure installation location.