



<b>Licence number</b>	L9375/2023/1
<b>Licence holder</b>	OZ Minerals Musgrave Operations Pty Ltd
<b>ACN</b>	640 213 341
<b>Registered business address</b>	Level 18, 171 Collins Street MELBOURNE VIC 3000
<b>DWER file number</b>	DER2023/000114
<b>Duration</b>	30/06/2023 to 29/06/2043
<b>Date of issue</b>	30/06/2023
<b>Date of amendment</b>	17 January 2025
<b>Premises details</b>	West Musgrave Project  Mining Licences: M 69/149, L 69/56 and L 69/57 As indicated by the map in Schedule 1 and defined by the coordinates in Schedule 2

<b>Prescribed premises category description (Schedule 1, <i>Environmental Protection Regulations 1987</i>)</b>	<b>Assessed production / design capacity</b>
Category 12: Screening etc. of material: premises (other than premises within category 5 or 8) on which material extracted from the ground is screened, washed, crushed, ground, milled, sized or separated.	1,500,000 tonnes per year
Category 54: Sewage facility: premises — (a) on which sewage is treated (excluding septic tanks); or (b) from which treated sewage is discharged onto land or into waters	275 m <sup>3</sup> /day
Category 62: Solid waste depot: premises on which waste is stored or sorted, pending final disposal or re-use	1,800 tonnes per year
Category 64: Class II or III putrescible landfill site: premises (other than clean fill premises) on which waste of a type permitted for disposal for this category of prescribed premises, in accordance with the Landfill Waste Classification and Waste Definitions 1996, is accepted for burial.	2,300 tonnes per year
Category 73: Bulk storage of chemicals etc. premises on which acids, alkalis or chemicals are stored	8901 m <sup>3</sup> in aggregate
Category 77: Concrete batching and cement products manufacturing: premises on which cement products or concrete are manufactured for use at places or premises other than those premises.	150,000 tonnes per year

This amended licence is granted to the licence holder, subject to the attached conditions, on 17 January 2025 by

**Michael Greenslade**  Digitally signed by Michael Greenslade  
Date: 2025.01.17 09:58:01 +08'00'

**MANAGER, PROCESS INDUSTRIES**

an officer delegated under section 20 of the *Environmental Protection Act 1986* (WA)

## Licence history

Date	Reference number	Summary of changes
20/07/2022	W6579/2021/1	Works Approval granted for construction of the West Musgrave Project, including wastewater treatment plant (WWTP) to service the proposed accommodation village and main mining area.
16/11/2022	W6579/2021/1	Minor amendments to WWTP location and operation.
30/06/2023	L9375/2023/1	Licence granted.
07/06/2024	L9375/2023/1	Amendment to remove SBRs and associated irrigation and replace with the Passive WWTP. Addition of Category 77 Concrete batching.
24/07/2024	L9375/2023/1	Amendment to include Category 64 landfill operation and Category 12 Screening of material, with increased production capacity.
17/01/2025	L9375/2023/1	Licence amendment to include Category 62 solid waste depot and Category 73 bulk storage of chemicals. Administrative change to conditions related to the existing Wastewater Treatment Plant (WWTP) infrastructure to remove ozone from the disinfection process. Administrative change to amend the definition of the annual reporting period and the dates for the submission of annual and biennial reports.

## Interpretation

In this licence:

- (a) the words 'including', 'includes' and 'include' in conditions mean "including but not limited to", and similar, as appropriate;
- (b) where any word or phrase is given a defined meaning, any other part of speech or other grammatical form of that word or phrase has a corresponding meaning;
- (c) where tables are used in a condition, each row in a table constitutes a separate condition;
- (d) any reference to an Australian or other standard, guideline, or code of practice in this licence:
  - (i) if dated, refers to that particular version; and
  - (ii) if not dated, refers to the latest version and therefore may be subject to change over time;
- (e) unless specified otherwise, any reference to a section of an Act refers to that section of the EP Act; and
- (f) unless specified otherwise, all definitions are in accordance with the EP Act.

**NOTE:** This licence requires specific conditions to be met but does not provide any implied authorisation for other emissions, discharges, or activities not specified in this licence.

## Licence conditions

The licence holder must ensure that the following conditions are complied with:

### Infrastructure and equipment

1. The licence holder must ensure that the site infrastructure and equipment listed in Table 1 and located at the corresponding infrastructure location is maintained and operated in accordance with the corresponding operational requirement set out in Table 1.

**Table 1: Infrastructure and equipment requirements**

Site infrastructure and equipment	Operational requirement	Infrastructure location
Passive Wastewater Treatment Plant (WWTP)	<p>Wastewater treatment infrastructure operated to meet the following requirements;</p> <ol style="list-style-type: none"> <li>(a) WWTP consisting of primary, secondary and tertiary treatment units installed to process up to 275 m<sup>3</sup>/day (cumulative) of wastewater;</li> <li>(b) Primary treatment of wastewater within Anaerobic Baffled Reactor tanks (up to 8 x 95kL tanks) prior to discharging to secondary treatment;</li> <li>(c) Secondary treatment consisting of:               <ol style="list-style-type: none"> <li>i. 80kL for balance and emergency storage;</li> <li>ii. 9kL sump for pump sump;</li> <li>iii. up to 6 x 1,022 m<sup>2</sup> filter bed units, each lined with single 1.0mm HDPE liner (no welds);</li> <li>iv. pressure dosing/wastewater distribution manifolds covered with geofabric, topsoil and vents for system aeration;</li> <li>v. base of the filter bed units graded to direct treated water to a collection tunnel that redirects captured water to tertiary treatment, as depicted in Figure 3 of Schedule 1;</li> </ol> </li> <li>(d) Tertiary treatment consisting of:               <ol style="list-style-type: none"> <li>i. 20kL treated water collection chamber;</li> <li>ii. Ultraviolet disinfection; and</li> <li>iii. Chlorination disinfection;</li> </ol> </li> <li>(e) Monitor discharges of treated effluent used for dust suppression in accordance with the Department of Health standards specified in the <i>Guidelines for the Non-potable Uses of Recycled Water in Western Australia</i> (2011) for 'Medium' Exposure Risk Level prior to reuse (as specified in Table 3);</li> <li>(f) Volumetric flow meter installed on discharge outlet pipe to monitor volumes discharged to storage tank;</li> <li>(g) Wastewater treatment tanks must be fitted with operational alarm systems to monitor for tank high levels, overflows and faults; and</li> <li>(h) All wastewater storage tanks, vessels, pipelines must be free of leaks and defects.</li> </ol>	As depicted at the 'WWTP' location in Figures 1 and 2 in Schedule 1

## Department of Water and Environmental Regulation

Site infrastructure and equipment	Operational requirement	Infrastructure location
Concrete Batching Plant	Operated in accordance with the Environmental Protection (Concrete Batching and Cement Product Manufacturing) Regulations 1998 (WA)	As depicted at the 'Concrete Batching Plant' location in Figure 1, Schedule 1
Crushing and screening plant (non-ore)	<ul style="list-style-type: none"> <li>(a) Mobile crushing and screening plant to process up to 1,500,000 tonnes per annual period;</li> <li>(b) Designed with a maximum screening throughput of 700 tonnes per hour;</li> <li>(c) Equipped with dust suppression sprays;</li> <li>(d) Dust suppression to be applied whenever materials are being processed by the screening equipment;</li> <li>(e) Dust suppression to be applied to stockpiled material to reduce dust liftoff; and</li> <li>(f) Utilisation of dust curtains on screening equipment (where applicable) to mitigate dust emissions during screening operations.</li> </ul>	N/A - Mobile
Landfill	<ul style="list-style-type: none"> <li>(a) Landfill trenches constructed over an area of approximately 320 m x 170 m to the dimensions of approximately 165 m long, 27 m wide at the surface, reducing to 18 m wide at the base;</li> <li>(b) The following waste types are permitted for disposal at the landfill up to a cumulative total of 2,300 tonnes per annual period: <ul style="list-style-type: none"> <li>i. Putrescible Waste</li> <li>ii. Inert Waste Type 1</li> <li>iii. Inert Waste Type 2</li> <li>iv. Inert Waste Type 3</li> <li>v. Special Wastes Type 2 that do not require incineration.</li> </ul> </li> <li>(c) Special Waste Type 1 and Type 3 not permitted for disposal at the landfill.</li> <li>(d) Putrescible Waste, including xanthate packaging, and Special Wastes Type 2 capped at least daily.</li> <li>(e) A fence to be maintained around the perimeter of the landfill that is a suitable height for the prevention of windblow waste exiting the landfill area.</li> <li>(f) Perimeter of landfill monitored weekly for the collection of flyaway litter and any flyaway litter is collected and returned to the landfill or otherwise appropriately contained.</li> <li>(g) The height of the landfill shall not exceed 2 m above ground level.</li> <li>(h) Landfill trenches must be constructed with a minimum separation of 2 m from the lowest point of the base of the landfill trench to standing groundwater level</li> </ul>	As depicted at the 'Landfill' location in Figure 1 in Schedule 1
Solid waste storage and transfer station	<ul style="list-style-type: none"> <li>(a) Solid wastes stored within bunded storage areas</li> <li>(b) Solid wastes stored within the solid waste transfer area and hydrocarbon waste transfer area must be covered.</li> </ul>	As depicted at the 'Waste transfer station' location in Figure 1, Schedule 1

## Department of Water and Environmental Regulation

Site infrastructure and equipment	Operational requirement	Infrastructure location
Fuel storage and delivery areas	All bulk fuel storage and handling constructed in accordance with AS 1940, and: <ol style="list-style-type: none"> <li>fitted with leak detection system and alarms.</li> <li>equipped with high level alarms to prevent overflow during operation, and</li> <li>designed to be able to transfer potentially contaminated stormwater within bunded areas to an oily water separator.</li> </ol>	At the 'Hydrocarbon Storage' and 'Permanent Power Plant' location depicted in Figure 1, of Schedule 1.
Accommodation Power Stations Fuel Storage	<ol style="list-style-type: none"> <li>3 x self-bunded 67 kL diesel tanks and associated distribution and refilling infrastructure, total capacity of 201 kL</li> </ol>	At the 'Hydrocarbon Storage' and 'Permanent Power Plant' location depicted in Figure 1, of Schedule 1.
Aviation Fuel Facility	<ol style="list-style-type: none"> <li>1 x 110 kL self-bunded Jet A1 tank and associated aeroplane refuelling and refilling infrastructure, total capacity 110 kL.</li> <li>Fuel unloading and refuelling areas constructed with drive over tray/sump and spill resistant membrane which is sloped away from the fuel facility.</li> </ol>	At the 'Aviation fuel' location depicted in Figure 1, of Schedule 1.
Expo Fuel Facility	<ol style="list-style-type: none"> <li>4 x 110 kL self-bunded diesel tanks and associated distribution and refilling infrastructure, total capacity 440 kL.</li> </ol>	At the 'Expo fuel' location depicted in Figure 1, of Schedule 1.

## Emissions and discharges

- The licence holder must ensure that spills of wastewater outside of engineered containment infrastructure are contained and cleaned up immediately.
- The licence holder must ensure that the emissions specified in Table 2, are discharged only from the corresponding discharge point and only at the corresponding discharge point location.

**Table 2: Authorised discharge points**

Emission	Discharge point	Discharge point location
Reuse of treated effluent from the Passive WWTP	Treated effluent removed from the storage tank outlet for use as; <ul style="list-style-type: none"> <li>dust suppression; and/or</li> <li>process water within premises processing infrastructure.</li> </ul>	Throughout the premises in accordance with approval from the Department of Health
Discharge of treated effluent from the Passive WWTP	Treated effluent removed from the storage tank outlet for disposal via irrigation.	<ol style="list-style-type: none"> <li>As depicted at the 'Irrigation Field' location in Figure 2 in Schedule 1; or</li> <li>Planted vegetation within premises boundary</li> </ol>

## Department of Water and Environmental Regulation

4. The licence holder must manage the discharge of treated wastewater to the premises irrigation field such that:
- sprinklers that are positioned to ensure even distribution of treated wastewater and capable of discharging wastewater over a 15 m radius each;
  - no irrigation generated run-off, spray drift or discharge occurs beyond the boundary of the defined irrigation area;
  - no soil erosion occurs;
  - irrigation does not occur on land that is waterlogged;
  - vegetation is maintained over the irrigation area; and
  - fencing with visible safety signage is installed and maintained to deter access.

## Monitoring

5. The licence holder must monitor treated effluent for dust suppression in accordance with Table 3 and ensure that the emissions from the monitoring locations do not exceed the corresponding limits specified in that table.

**Table 3: Discharge monitoring and limits**

Monitoring location	Parameter	Limit	Frequency	Averaging period	Method
Passive WWTP outlet	Cumulative volumetric flow rate (m <sup>3</sup> /day)	275 m <sup>3</sup> /day	Daily or continuous online	N/A	N/A
	E. coli (cfu/100mL)	<10 MPN or cfu/100mL	Monthly	Spot sample	AS/NZS 5667.1  AS/NZS 5667.10
	pH <sup>1</sup>	6.5 - 8.5	Continuous online		
	Turbidity	<2NTU (95%tile) and < 5NTU (max)	Continuous online		
	Residual Chlorine (mg/L) <sup>1</sup>	0.2 - 2.0 mg/L	Continuous online		
	BOD (mg/L) <sup>2</sup>	< 20 mg/L	Quarterly <sup>2</sup>		
	TSS (mg/L) <sup>2</sup>	< 30 mg/L			
	Total Nitrogen (mg/L) <sup>2</sup>	< 30 mg/L			
	Total Phosphorous (mg/L) <sup>2</sup>	< 8 mg/L			

Note 1: In-field, non-NATA accredited analysis permitted.

Note 2: Sampling and analysis to be undertaken quarterly only when discharges to the irrigation field are occurring during the period.

6. The licence holder must ensure that:
- monitoring is undertaken in each monthly period such that there are at least 15 days in between the days on which samples are taken in successive months;
  - monitoring is undertaken in each quarterly period such there are at least 45 days in between the days on which samples are taken in successive quarters.
7. The licence holder must monitor groundwater during operation for concentrations of the identified parameters in accordance with Table 4.

## Department of Water and Environmental Regulation

**Table 4: Monitoring of groundwater during operation**

Monitoring location	Parameter	Unit	Frequency	Averaging period	Method
Landfill bores: LMB01-D; LMB02-D; and LMB03-D as depicted in figure 4 of Schedule 1.	pH <sup>1</sup>	-	Quarterly <sup>2</sup>	Spot sample	AS/NZS 5667.11
	Electrical Conductivity	µS/cm			
	Total Dissolved Solids	mg/L			
	Major ions (Na <sup>+</sup> , K <sup>+</sup> , Ca <sup>2+</sup> , Mg <sup>2+</sup> , HCO <sub>3</sub> <sup>-</sup> , Cl <sup>-</sup> , SO <sub>4</sub> <sup>2-</sup> , NO <sub>3</sub> <sup>-</sup> , NO <sub>2</sub> <sup>-</sup> and NH <sub>4</sub> <sup>+</sup> )	mg/L			
	Aluminium	mg/L			
	Arsenic	mg/L			
	Antimony	mg/L			
	Barium	mg/L			
	Cadmium	mg/L			
	Chromium	mg/L			
	Cobalt	mg/L			
	Copper	mg/L			
	Fluoride	mg/L			
	Iron	mg/L			
	Lead	mg/L			
	Manganese	mg/L			
	Molybdenum	mg/L			
	Nickel	mg/L			
	Nitrogen (Total)	mg/L			
	Selenium	mg/L			
	Silver	mg/L			
	Thallium	mg/L			
	Uranium,	mg/L			
Vanadium	mg/L				
Zinc	mg/L				
Standing water level	mbgl, mRL	Quarterly		N/A	

Note 1: In-field, non-NATA accredited analysis permitted

Note 2: During periods when the premises is in care and maintenance, monitoring is only required to be undertaken if waste disposal to the landfill has occurred during the quarterly period.

8. The licence holder must ensure that analysis of non-continuous samples obtained pursuant to condition 5 and condition 7 is undertaken by a holder of a current accreditation from the National Association of Testing Authorities (NATA) for the methods of sampling and analysis relevant to the corresponding relevant parameter

## Records and reporting

9. The licence holder must record the following information in relation to complaints received by the licence holder (whether received directly from a complainant or forwarded to them by the Department or another party) about any alleged emissions from the premises:
- a) the name and contact details of the complainant, (if provided);

## Department of Water and Environmental Regulation

- b) the time and date of the complaint;
  - c) the complete details of the complaint and any other concerns or other issues raised; and
  - d) the complete details and dates of any action taken by the licence holder to investigate or respond to any complaint.
- 10.** The licence holder must:
- a) undertake an audit of their compliance with the conditions of this licence during the preceding annual period; and
  - b) prepare and submit to the CEO by no later than 30 September an Annual Audit Compliance Report in the approved form.
- 11.** The licence holder must:
- a) prepare a biennial environmental report that provides information in accordance with the requirements set out in Table 5 for the preceding two annual periods, and
  - b) submit that environmental report to the CEO by no later than 30 September in each year after the end of every second annual period (the first report being due in 2024, then biennially thereafter).

**Table 5: Environmental reporting requirements**

Condition	Requirement
5	<ul style="list-style-type: none"> <li>a) the monthly cumulative volumes (in m<sup>3</sup> or kL) of treated wastewater:               <ul style="list-style-type: none"> <li>i. used as process water,</li> <li>ii. used for dust suppression,</li> <li>iii. applied to the irrigation field, and/or</li> <li>iv. used for other approved purposes,</li> </ul>               presented in table format;             </li> <li>b) treated wastewater monitoring data in tabulated and graphical form including the sampling dates and a comparison against the plant design specifications and emissions discharge limits in Table 3.</li> <li>c) an assessment and interpretation of the data, including comparison to historical trends; and</li> <li>d) copies of laboratory sample analysis reports.</li> </ul>
7	<ul style="list-style-type: none"> <li>a) landfill bore monitoring data in tabulated and graphical form including the sampling dates;</li> <li>b) an assessment and interpretation of the data, including comparison to historical trends;</li> <li>c) copies of laboratory sample analysis reports; and</li> <li>d) information relating to periods where the premises is in care and maintenance (including but not limited to: dates and duration).</li> </ul>
9	A summary of complaints received

- 12.** The licence holder must maintain accurate and auditable books including the following records, information, reports, and data required by this licence:
- a) the calculation of fees payable in respect of this licence;
  - b) any maintenance of infrastructure that is performed in the course of complying with condition 1 of this licence;



Department of Water and Environmental Regulation

- c) monitoring programmes undertaken in accordance with condition 5 and condition 7 of this licence; and
  - d) complaints received under condition 9 of this licence.
- 13.** The books specified under condition 12 must:
- a) be legible;
  - b) if amended, be amended in such a way that the original version(s) and any subsequent amendments remain legible and are capable of retrieval;
  - c) be retained by the licence holder for the duration of the licence; and
  - d) be available to be produced to an inspector or the CEO as required.

## Definitions

In this licence, the terms in Table 6 have the meanings defined.

**Table 6: Definitions**

Term	Definition
ACN	Australian Company Number
Annual Audit Compliance Report (AACR)	means a report submitted in a format approved by the CEO (relevant guidelines and templates may be available on the Department's website).
annual period	a 12-month period commencing from 1 July until 30 June of the immediately following year.
AS/NZS 5667.1	means the Australian Standard AS/NZS 5667.1 <i>Water Quality – Sampling – Guidance on the design of sampling programs, sampling techniques and the preservation and handling of samples.</i>
AS/NZS 5667.10	means the Australian Standard AS/NZS 5667.10 <i>Water Quality – Sampling – Guidance on sampling of waste waters</i>
AS/NZS 5667.11	means the Australian Standard AS/NZS 5667.11 <i>Water Quality – Sampling – Guidance on sampling groundwater</i>
averaging period	means the time over which a limit is measured or a monitoring result is obtained
BOD	Biological Oxygen Demand
books	has the same meaning given to that term under the EP Act.
Care and maintenance	means periods of time where the premises primary activities are ceased or restricted
CEO	means Chief Executive Officer of the Department. “submit to / notify the CEO” (or similar), means either:  Director General Department administering the <i>Environmental Protection Act 1986</i> Locked Bag 10 Joondalup DC WA 6919  or:  <a href="mailto:info@dwer.wa.gov.au">info@dwer.wa.gov.au</a>
cfu	means colony-forming unit.
Department	means the department established under section 35 of the <i>Public Sector Management Act 1994</i> (WA) and designated as responsible for the administration of the EP Act, which includes Part V Division 3.
discharge	has the same meaning given to that term under the EP Act.

## Department of Water and Environmental Regulation

<b>Term</b>	<b>Definition</b>
emission	has the same meaning given to that term under the EP Act.
EP Act	<i>Environmental Protection Act 1986 (WA)</i>
EP Regulations	<i>Environmental Protection Regulations 1987 (WA)</i>
Inert Waste Type(s) 1, 2 and 3	has the same meaning given to those terms under the Landfill Waste Classification and Waste Definitions (December 2019)
licence	refers to this document, which evidences the grant of a licence by the CEO under section 57 of the EP Act, subject to the specified conditions contained within.
licence holder	refers to the occupier of the premises, being the person specified on the front of the licence as the person to whom this licence has been granted.
m <sup>3</sup> /day	means cubic metres per day.
mg/L	means milligrams per litre.
MPN	means most probable number.
NATA	means National Association of Testing Authorities.
passive WWTP	in-situ constructed wastewater treatment plant infrastructure as depicted in Figure 3.
premises	refers to the premises to which this licence applies, as specified at the front of this licence and as shown on the premises map Figure 1 in Schedule 1 to this licence.
prescribed premises	has the same meaning given to that term under the EP Act.
Putrescible waste	has the same meaning given to that term under the Landfill Waste Classification and Waste Definitions (December 2019)
quarterly	means monitoring that is undertaken at least 45 calendar days apart
quarterly period	means the 4 inclusive periods from 1 January to 31 March, 1 April to 30 June, 1 July to 30 September and 1 October to 31 December in that year.
Special Wastes Type (s) 1, 2 and 3	has the same meaning given to those terms under the Landfill Waste Classification and Waste Definitions (December 2019)
tertiary treatment	UV and chlorination treatment
TSS	Total Suspended Solids
waste	has the same meaning given to that term under the EP Act.
WWTP	means wastewater treatment plant.

**END OF CONDITIONS**

# Schedule 1: Maps

## Premises map

The boundary of the prescribed premises is shown in the map below (Figure 1).

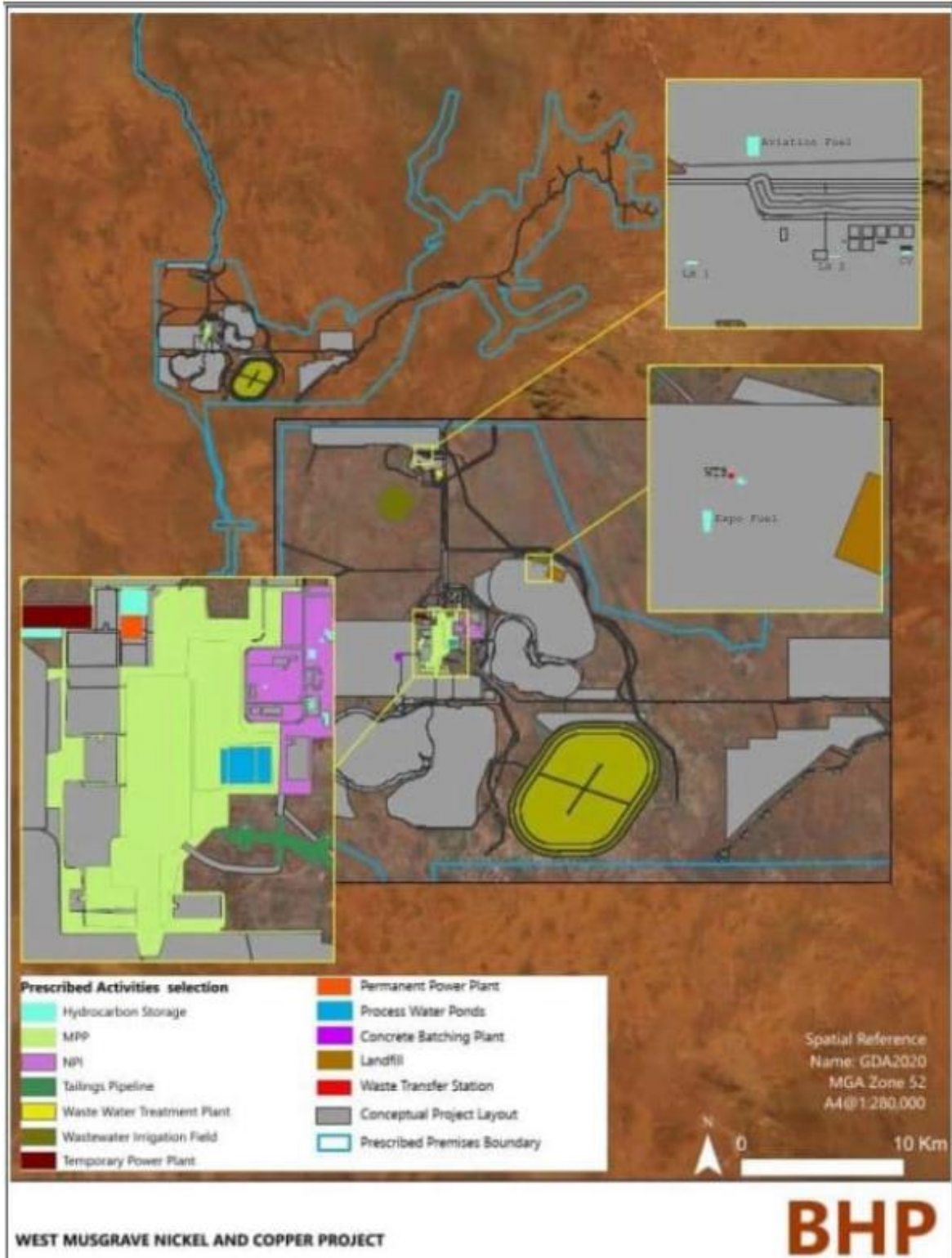
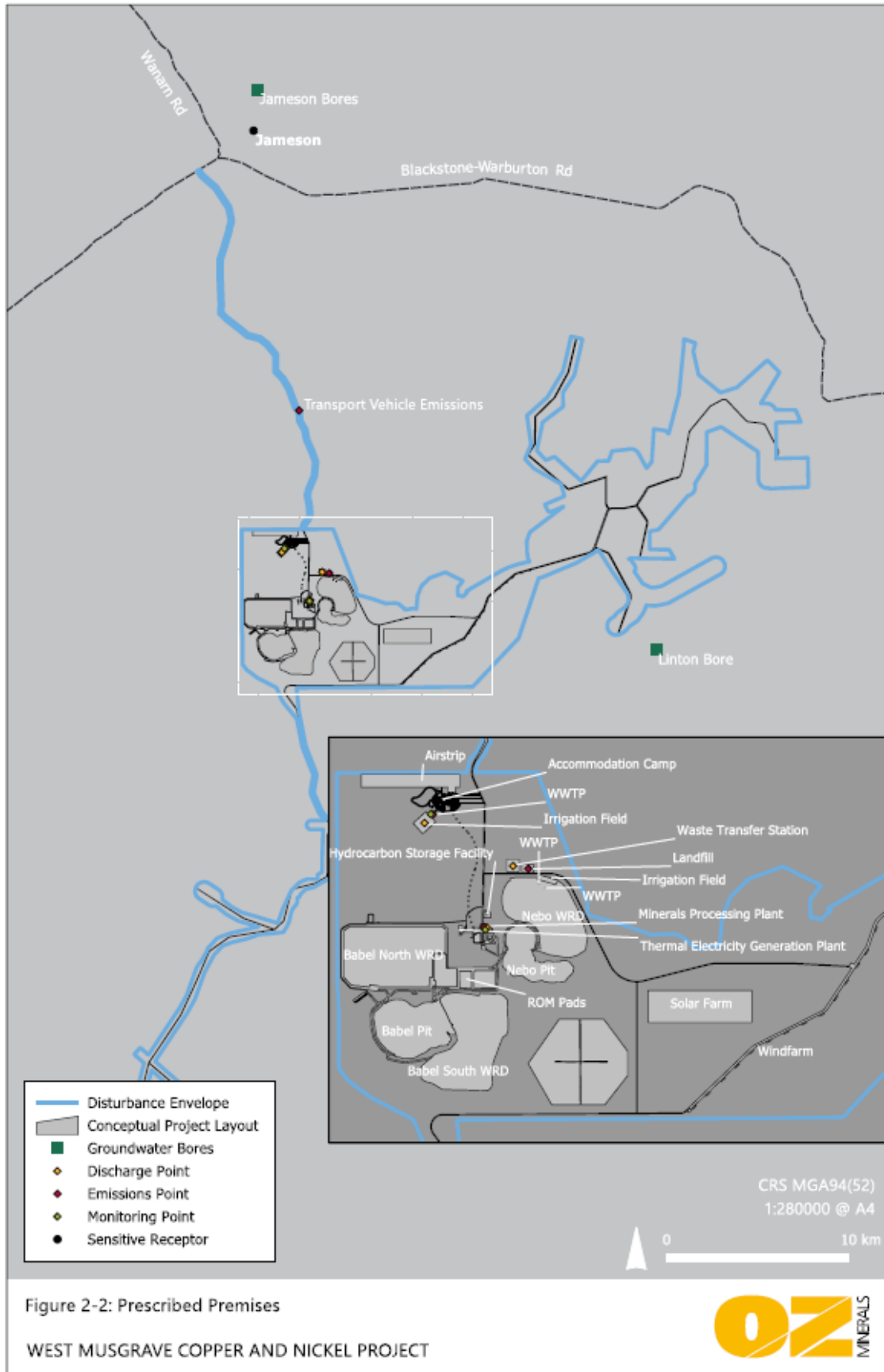


Figure 1: Map of the boundary of the prescribed premises

L9375/2023/1 (Amendment: 17 January 2025)

IR-T06 Licence template (v6.0) (February 2020)



**Figure 2: Map of emission, discharge and monitoring points.**

L9375/2023/1 (Amendment: 17 January 2025)

IR-T06 Licence template (v6.0) (February 2020)

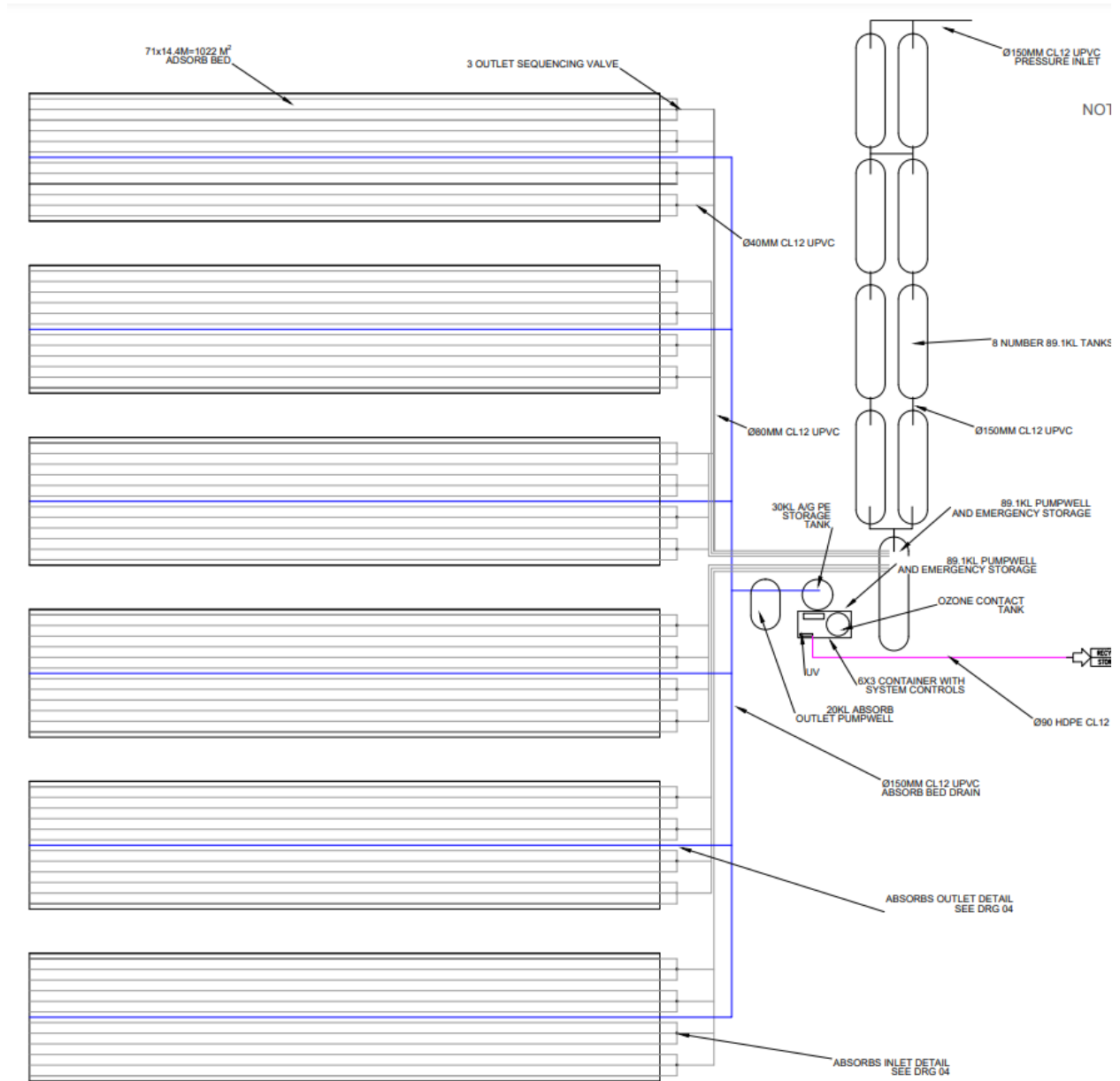


Figure 3: Design layout of Passive WWTP infrastructure

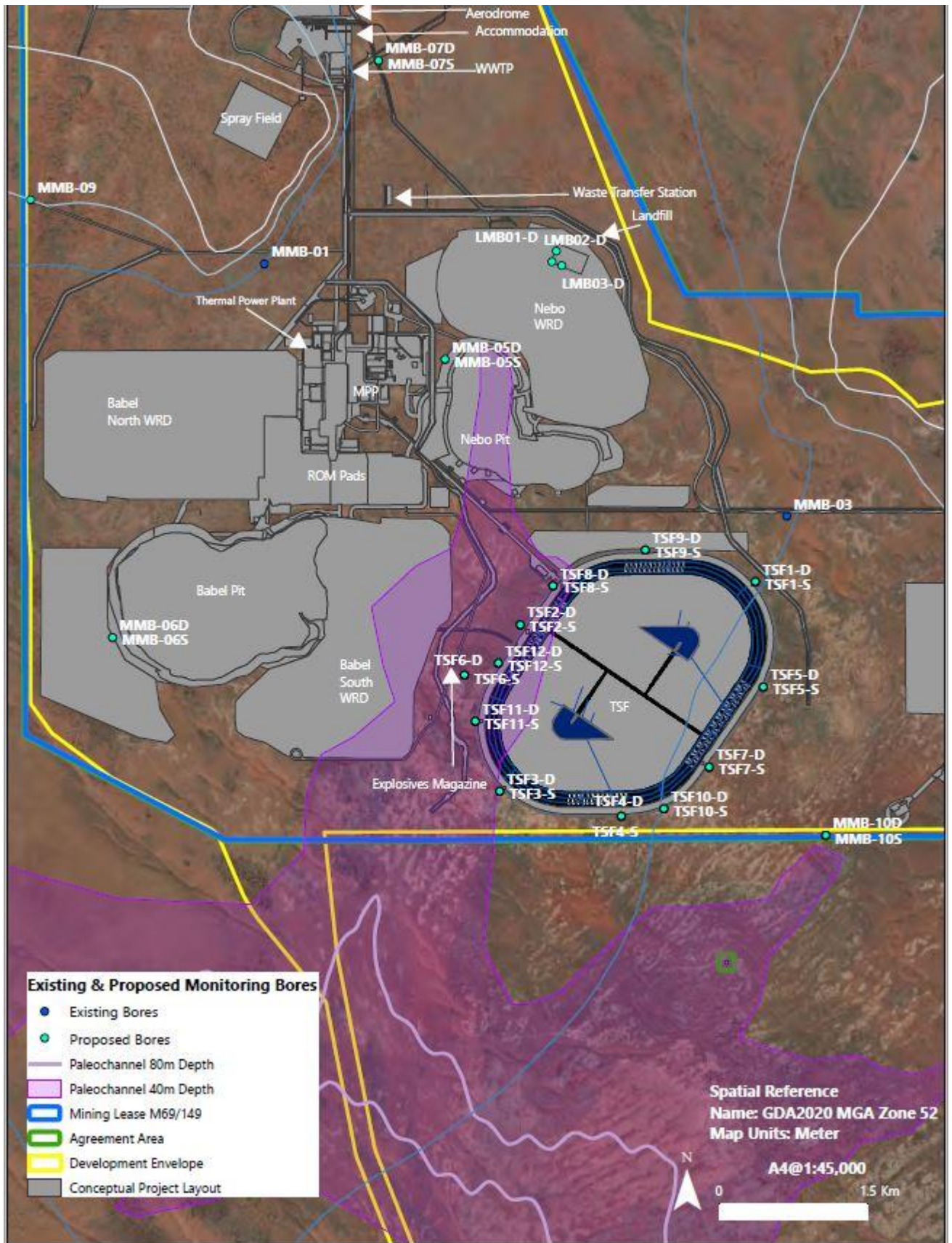


Figure 4: Groundwater monitoring bore locations

## Schedule 2: Premises boundary

The corners of the premises boundary are the coordinates listed in Table 7.

**Table 7: Premises boundary coordinates**

ID	Longitude (l)	Latitude (l)	ID	Longitude (l)	Latitude (l)	ID	Longitude (l)	Latitude (l)
180326	127.7054	-26.2243	180364	127.6498	-26.2252	180402	127.6439	-26.2305
180327	127.7013	-26.2259	180365	127.6495	-26.2252	180403	127.644	-26.2307
180328	127.6966	-26.23	180366	127.6492	-26.2252	180404	127.6441	-26.2311
180329	127.692	-26.2387	180367	127.6489	-26.2251	180405	127.6442	-26.2313
180330	127.6891	-26.246	180368	127.6486	-26.2251	180406	127.6443	-26.2316
180331	127.6796	-26.2432	180369	127.6483	-26.2252	180407	127.6445	-26.2319
180332	127.6786	-26.243	180370	127.6482	-26.2252	180408	127.6446	-26.2321
180333	127.6778	-26.2427	180371	127.6478	-26.2252	180409	127.6448	-26.2323
180334	127.6773	-26.2426	180372	127.6476	-26.2253	180410	127.645	-26.2326
180335	127.6772	-26.2426	180373	127.6474	-26.2253	180411	127.6452	-26.2328
180336	127.6771	-26.2425	180374	127.6472	-26.2254	180412	127.6455	-26.233
180337	127.6761	-26.2423	180375	127.6469	-26.2255	180413	127.6458	-26.2332
180338	127.6743	-26.2418	180376	127.6467	-26.2256	180414	127.646	-26.2334
180339	127.6693	-26.2404	180377	127.6465	-26.2257	180415	127.6509	-26.2364
180340	127.6637	-26.2376	180378	127.6463	-26.2258	180416	127.6513	-26.2366
180341	127.6587	-26.2339	180379	127.646	-26.2259	180417	127.6516	-26.2367
180342	127.6588	-26.2328	180380	127.6458	-26.226	180418	127.6518	-26.2369
180343	127.6588	-26.2325	180381	127.6456	-26.2262	180419	127.6521	-26.237
180344	127.6588	-26.2322	180382	127.6455	-26.2263	180420	127.6525	-26.2371
180345	127.6587	-26.2319	180383	127.6453	-26.2265	180421	127.6528	-26.2371
180346	127.6587	-26.2316	180384	127.6451	-26.2266	180422	127.6531	-26.2372
180347	127.6586	-26.2313	180385	127.645	-26.2268	180423	127.6535	-26.2372
180348	127.6585	-26.231	180386	127.6449	-26.2269	180424	127.6538	-26.2372
180349	127.6583	-26.2308	180387	127.6447	-26.2271	180425	127.6541	-26.2372
180350	127.6582	-26.2305	180388	127.6445	-26.2273	180426	127.6552	-26.2371
180351	127.658	-26.2302	180389	127.6444	-26.2275	180427	127.6606	-26.2412
180352	127.6578	-26.23	180390	127.6444	-26.2277	180428	127.6609	-26.2413
180353	127.6576	-26.2298	180391	127.6442	-26.2279	180429	127.6611	-26.2414
180354	127.6574	-26.2296	180392	127.6441	-26.2281	180430	127.6633	-26.2426
180355	127.6572	-26.2294	180393	127.644	-26.2283	180431	127.6646	-26.2432
180356	127.6569	-26.2292	180394	127.644	-26.2285	180432	127.667	-26.2445
180357	127.6566	-26.229	180395	127.6439	-26.2288	180433	127.6673	-26.2446
180358	127.6517	-26.2259	180396	127.6439	-26.229	180434	127.6676	-26.2447
180359	127.6514	-26.2258	180397	127.6438	-26.2293	180435	127.6785	-26.2476
180360	127.6511	-26.2256	180398	127.6438	-26.2296	180436	127.6627	-26.2508
180361	127.6508	-26.2255	180399	127.6438	-26.2299	180437	127.6624	-26.2509
180362	127.6505	-26.2254	180400	127.6438	-26.2301	180438	127.6622	-26.251
180363	127.6501	-26.2253	180401	127.6439	-26.2302	180439	127.66	-26.2517



## Department of Water and Environmental Regulation

ID	Longitude (l)	Latitude (l)	ID	Longitude (l)	Latitude (l)	ID	Longitude (l)	Latitude (l)
180440	127.6593	-26.2519	180482	127.6086	-26.3355	180524	127.6278	-26.3255
180441	127.6564	-26.2528	180483	127.608	-26.3371	180525	127.6287	-26.3262
180442	127.6564	-26.2528	180484	127.6068	-26.3402	180526	127.631	-26.328
180443	127.6559	-26.2531	180485	127.6036	-26.3463	180527	127.6315	-26.3293
180444	127.6554	-26.2534	180486	127.6033	-26.3467	180528	127.6324	-26.3321
180445	127.6506	-26.2579	180487	127.6031	-26.3472	180529	127.6323	-26.3361
180446	127.6496	-26.2601	180488	127.6024	-26.3483	180530	127.6324	-26.3366
180447	127.6466	-26.2646	180489	127.6068	-26.3506	180531	127.6325	-26.337
180448	127.6452	-26.2661	180490	127.6081	-26.3483	180532	127.6328	-26.3374
180449	127.6442	-26.2678	180491	127.6081	-26.3482	180533	127.6331	-26.3378
180450	127.644	-26.2681	180492	127.6082	-26.3482	180534	127.6334	-26.3381
180451	127.644	-26.2682	180493	127.6085	-26.3476	180535	127.6339	-26.3383
180452	127.6439	-26.2684	180494	127.6089	-26.3467	180536	127.6343	-26.3384
180453	127.6419	-26.2732	180495	127.6093	-26.346	180537	127.6348	-26.3384
180454	127.6386	-26.2813	180496	127.61	-26.3446	180538	127.6353	-26.3384
180455	127.6343	-26.288	180497	127.6111	-26.3426	180539	127.6358	-26.3383
180456	127.6324	-26.2905	180498	127.6113	-26.3422	180540	127.6362	-26.3381
180457	127.6283	-26.2959	180499	127.6114	-26.3421	180541	127.6366	-26.3378
180458	127.6265	-26.2984	180500	127.6114	-26.342	180542	127.6369	-26.3375
180459	127.6259	-26.2991	180501	127.6115	-26.3418	180543	127.6371	-26.3371
180460	127.6254	-26.2998	180502	127.6118	-26.3411	180544	127.6373	-26.3367
180461	127.6251	-26.3002	180503	127.612	-26.3406	180545	127.6373	-26.3361
180462	127.6219	-26.3044	180504	127.6121	-26.3403	180546	127.6374	-26.332
180463	127.6206	-26.3062	180505	127.6133	-26.3371	180547	127.6373	-26.3313
180464	127.6202	-26.3067	180506	127.6134	-26.3369	180548	127.6373	-26.3312
180465	127.6172	-26.3106	180507	127.6134	-26.3368	180549	127.6364	-26.3281
180466	127.6128	-26.307	180508	127.6135	-26.3366	180550	127.6362	-26.3278
180467	127.6094	-26.3103	180509	127.6135	-26.3366	180551	127.6362	-26.3278
180468	127.6098	-26.3106	180510	127.6137	-26.336	180552	127.6355	-26.3259
180469	127.6115	-26.312	180511	127.6141	-26.3343	180553	127.6352	-26.3254
180470	127.6148	-26.3147	180512	127.6145	-26.3331	180554	127.6348	-26.325
180471	127.6135	-26.319	180513	127.6149	-26.3318	180555	127.6347	-26.3249
180472	127.6134	-26.3192	180514	127.6149	-26.3318	180556	127.6294	-26.3207
180473	127.6133	-26.3195	180515	127.6151	-26.331	180557	127.6291	-26.3205
180474	127.6132	-26.3199	180516	127.6155	-26.3296	180558	127.6286	-26.3201
180475	127.613	-26.3206	180517	127.6162	-26.3274	180559	127.628	-26.3196
180476	127.6126	-26.3222	180518	127.6189	-26.3183	180560	127.6272	-26.319
180477	127.6125	-26.3222	180519	127.6235	-26.3221	180561	127.6266	-26.3185
180478	127.6124	-26.3226	180520	127.6245	-26.3229	180562	127.6259	-26.3179
180479	127.612	-26.324	180521	127.6246	-26.323	180563	127.6256	-26.3177
180480	127.6119	-26.3243	180522	127.6247	-26.323	180564	127.6247	-26.317
180481	127.6114	-26.3262	180523	127.6257	-26.3238	180565	127.6243	-26.3167

## Department of Water and Environmental Regulation

ID	Longitude (l)	Latitude (l)	ID	Longitude (l)	Latitude (l)	ID	Longitude (l)	Latitude (l)
180566	127.6232	-26.3157	180608	127.6723	-26.2535	180650	127.7305	-26.1992
180567	127.6209	-26.3138	180609	127.6726	-26.2534	180651	127.7305	-26.1992
180568	127.6222	-26.3121	180610	127.6788	-26.2515	180652	127.7309	-26.1989
180569	127.6341	-26.2963	180611	127.682	-26.2513	180653	127.731	-26.1987
180570	127.6382	-26.2909	180612	127.685	-26.2511	180654	127.7311	-26.1985
180571	127.6383	-26.2907	180613	127.6852	-26.2511	180655	127.7312	-26.1982
180572	127.6384	-26.2906	180614	127.6853	-26.2511	180656	127.7312	-26.1981
180573	127.6394	-26.289	180615	127.6855	-26.2511	180657	127.7313	-26.1977
180574	127.6402	-26.2878	180616	127.6921	-26.2505	180658	127.7312	-26.1972
180575	127.643	-26.2835	180617	127.6923	-26.2502	180659	127.7311	-26.1968
180576	127.6432	-26.2832	180618	127.6943	-26.2472	180660	127.7309	-26.1964
180577	127.6432	-26.2831	180619	127.6955	-26.245	180661	127.7306	-26.1961
180578	127.6435	-26.2823	180620	127.6966	-26.2406	180662	127.7302	-26.1958
180579	127.6445	-26.2799	180621	127.6977	-26.2386	180663	127.7301	-26.1957
180580	127.6451	-26.2785	180622	127.6994	-26.2368	180664	127.7298	-26.1956
180581	127.6453	-26.2779	180623	127.7	-26.2355	180665	127.7293	-26.1954
180582	127.646	-26.2764	180624	127.7	-26.2355	180666	127.7287	-26.1954
180583	127.6461	-26.2759	180625	127.7	-26.2353	180667	127.7196	-26.1953
180584	127.6463	-26.2756	180626	127.7	-26.2336	180668	127.7179	-26.1953
180585	127.6464	-26.2752	180627	127.7	-26.2335	180669	127.7144	-26.1911
180586	127.6478	-26.2718	180628	127.7	-26.2334	180670	127.7143	-26.191
180587	127.6481	-26.2712	180629	127.7002	-26.2333	180671	127.7143	-26.1909
180588	127.6486	-26.2699	180630	127.7003	-26.2333	180672	127.7142	-26.1908
180589	127.6521	-26.2642	180631	127.701	-26.2333	180673	127.7141	-26.1907
180590	127.6522	-26.2641	180632	127.7018	-26.2317	180674	127.714	-26.1906
180591	127.6526	-26.2634	180633	127.7021	-26.2315	180675	127.714	-26.1905
180592	127.653	-26.2627	180634	127.7022	-26.2314	180676	127.7139	-26.1903
180593	127.6532	-26.2624	180635	127.7021	-26.2315	180677	127.7102	-26.1824
180594	127.6537	-26.2617	180636	127.7022	-26.2314	180678	127.7101	-26.1823
180595	127.6538	-26.2614	180637	127.7041	-26.2297	180679	127.7101	-26.1822
180596	127.6541	-26.2612	180638	127.7062	-26.2289	180680	127.71	-26.1821
180597	127.6545	-26.2608	180639	127.7089	-26.2284	180681	127.71	-26.182
180598	127.6551	-26.2602	180640	127.7114	-26.2271	180682	127.71	-26.1818
180599	127.6555	-26.2598	180641	127.7161	-26.2249	180683	127.7099	-26.1817
180600	127.6577	-26.2577	180642	127.7188	-26.224	180684	127.7099	-26.1816
180601	127.6586	-26.2569	180643	127.7188	-26.2162	180685	127.7099	-26.1815
180602	127.6607	-26.2562	180644	127.7194	-26.202	180686	127.7099	-26.1814
180603	127.6627	-26.2556	180645	127.7199	-26.1998	180687	127.7099	-26.1812
180604	127.6638	-26.2552	180646	127.7287	-26.1999	180688	127.7099	-26.1811
180605	127.6668	-26.2546	180647	127.7293	-26.1998	180689	127.7098	-26.181
180606	127.6674	-26.2545	180648	127.7297	-26.1997	180690	127.7099	-26.1809
180607	127.6721	-26.2535	180649	127.7302	-26.1995	180691	127.7099	-26.1807

## Department of Water and Environmental Regulation

ID	Longitude (l)	Latitude (l)	ID	Longitude (l)	Latitude (l)	ID	Longitude (l)	Latitude (l)
180692	127.7099	-26.1806	180734	127.7186	-26.1295	180776	127.8547	-26.0689
180693	127.7099	-26.1805	180735	127.7191	-26.1295	180777	127.8555	-26.0685
180694	127.7099	-26.1804	180736	127.7245	-26.1295	180778	127.8574	-26.0675
180695	127.7112	-26.1739	180737	127.7255	-26.1295	180779	127.8586	-26.0669
180696	127.7112	-26.1737	180738	127.7274	-26.1295	180780	127.8606	-26.0659
180697	127.7112	-26.1735	180739	127.7282	-26.1295	180781	127.8617	-26.0653
180698	127.7113	-26.1733	180740	127.7317	-26.1295	180782	127.8626	-26.0649
180699	127.7113	-26.1732	180741	127.7337	-26.1295	180783	127.863	-26.0647
180700	127.7113	-26.173	180742	127.7344	-26.1295	180784	127.8653	-26.0635
180701	127.7113	-26.1728	180743	127.7443	-26.1296	180785	127.8657	-26.0633
180702	127.7113	-26.1726	180744	127.746	-26.1296	180786	127.8672	-26.0625
180703	127.7112	-26.1724	180745	127.7466	-26.1296	180787	127.8682	-26.0639
180704	127.7112	-26.1723	180746	127.7489	-26.1296	180788	127.8704	-26.0669
180705	127.7112	-26.1721	180747	127.751	-26.1296	180789	127.8709	-26.0676
180706	127.7112	-26.1719	180748	127.7529	-26.1296	180790	127.8709	-26.0676
180707	127.7111	-26.1717	180749	127.7532	-26.1296	180791	127.8725	-26.07
180708	127.7111	-26.1715	180750	127.7558	-26.1296	180792	127.8744	-26.0728
180709	127.711	-26.1714	180751	127.7574	-26.1296	180793	127.8745	-26.0729
180710	127.7109	-26.1712	180752	127.7575	-26.1296	180794	127.8745	-26.0729
180711	127.7109	-26.171	180753	127.7632	-26.1297	180795	127.8777	-26.0772
180712	127.7056	-26.1586	180754	127.7642	-26.1297	180796	127.8791	-26.079
180713	127.7056	-26.1585	180755	127.7646	-26.1297	180797	127.8796	-26.0797
180714	127.7055	-26.1584	180756	127.7646	-26.1297	180798	127.88	-26.0802
180715	127.7055	-26.1583	180757	127.7646	-26.1297	180799	127.8804	-26.0807
180716	127.7055	-26.1582	180758	127.7975	-26.1297	180800	127.8812	-26.0818
180717	127.7054	-26.1581	180759	127.823	-26.1057	180801	127.8826	-26.0836
180718	127.7054	-26.158	180760	127.8343	-26.0761	180802	127.8829	-26.0841
180719	127.7018	-26.1405	180761	127.8357	-26.0758	180803	127.8831	-26.0843
180720	127.7007	-26.1294	180762	127.8364	-26.0756	180804	127.8832	-26.0845
180721	127.7012	-26.1294	180763	127.8365	-26.0756	180805	127.8835	-26.0869
180722	127.7022	-26.1294	180764	127.837	-26.0754	180806	127.8835	-26.0879
180723	127.705	-26.1294	180765	127.8381	-26.075	180807	127.8835	-26.088
180724	127.7056	-26.1294	180766	127.839	-26.0747	180808	127.8832	-26.0886
180725	127.7066	-26.1294	180767	127.84	-26.0743	180809	127.8829	-26.0892
180726	127.7076	-26.1294	180768	127.8413	-26.0738	180810	127.8822	-26.09
180727	127.7083	-26.1294	180769	127.8413	-26.0738	180811	127.8813	-26.0911
180728	127.7087	-26.1294	180770	127.8419	-26.0735	180812	127.88	-26.0919
180729	127.71	-26.1294	180771	127.8423	-26.0734	180813	127.8794	-26.0922
180730	127.7104	-26.1294	180772	127.8461	-26.072	180814	127.8782	-26.0929
180731	127.7113	-26.1294	180773	127.8496	-26.0707	180815	127.8781	-26.0929
180732	127.7123	-26.1294	180774	127.8528	-26.0696	180816	127.8774	-26.0935
180733	127.713	-26.1294	180775	127.8534	-26.0693	180817	127.8771	-26.0937

## Department of Water and Environmental Regulation

ID	Longitude (l)	Latitude (l)	ID	Longitude (l)	Latitude (l)	ID	Longitude (l)	Latitude (l)
180818	127.8767	-26.0941	180860	127.8911	-26.0943	180902	127.9307	-26.0665
180819	127.8759	-26.0949	180861	127.8912	-26.0942	180903	127.9298	-26.0668
180820	127.8751	-26.0957	180862	127.8916	-26.0937	180904	127.9293	-26.067
180821	127.8741	-26.0963	180863	127.8922	-26.0925	180905	127.9268	-26.0682
180822	127.8739	-26.0964	180864	127.8924	-26.0922	180906	127.9241	-26.0695
180823	127.8731	-26.0969	180865	127.8925	-26.092	180907	127.922	-26.0706
180824	127.8725	-26.0976	180866	127.8926	-26.0917	180908	127.9215	-26.0708
180825	127.8725	-26.0976	180867	127.8932	-26.0903	180909	127.9209	-26.0711
180826	127.8721	-26.0983	180868	127.8933	-26.09	180910	127.9195	-26.0718
180827	127.872	-26.0984	180869	127.8935	-26.09	180911	127.9192	-26.0719
180828	127.8718	-26.0992	180870	127.894	-26.0901	180912	127.9173	-26.0729
180829	127.8717	-26.1001	180871	127.8942	-26.0901	180913	127.915	-26.074
180830	127.8717	-26.101	180872	127.8953	-26.0902	180914	127.9104	-26.0763
180831	127.8718	-26.1011	180873	127.8968	-26.0903	180915	127.9099	-26.0765
180832	127.872	-26.1018	180874	127.8978	-26.0903	180916	127.903	-26.0799
180833	127.8723	-26.1023	180875	127.898	-26.0903	180917	127.9018	-26.0805
180834	127.8725	-26.1026	180876	127.899	-26.0902	180918	127.8997	-26.0809
180835	127.8731	-26.1033	180877	127.899	-26.0902	180919	127.8977	-26.0813
180836	127.8738	-26.1039	180878	127.9015	-26.0898	180920	127.8958	-26.0812
180837	127.8747	-26.1043	180879	127.9035	-26.0894	180921	127.8943	-26.0805
180838	127.8749	-26.1044	180880	127.9046	-26.0892	180922	127.8914	-26.0793
180839	127.8756	-26.1046	180881	127.9054	-26.089	180923	127.8905	-26.0781
180840	127.8759	-26.1046	180882	127.906	-26.0888	180924	127.89	-26.0774
180841	127.8766	-26.1047	180883	127.9115	-26.086	180925	127.8893	-26.0765
180842	127.8776	-26.1046	180884	127.934	-26.0749	180926	127.8883	-26.0752
180843	127.8785	-26.1043	180885	127.9344	-26.0747	180927	127.8869	-26.0734
180844	127.8785	-26.1043	180886	127.9352	-26.0742	180928	127.8867	-26.0731
180845	127.8792	-26.104	180887	127.9358	-26.0735	180929	127.8866	-26.0729
180846	127.8804	-26.1034	180888	127.9363	-26.0727	180930	127.8868	-26.0729
180847	127.8809	-26.1031	180889	127.9365	-26.0719	180931	127.8872	-26.0727
180848	127.8811	-26.103	180890	127.9366	-26.071	180932	127.8874	-26.0725
180849	127.8818	-26.1025	180891	127.9366	-26.0701	180933	127.8875	-26.0723
180850	127.8821	-26.1023	180892	127.9364	-26.0698	180934	127.8875	-26.072
180851	127.8831	-26.1012	180893	127.9363	-26.0693	180935	127.8876	-26.0716
180852	127.8841	-26.1002	180894	127.9358	-26.0685	180936	127.8875	-26.0712
180853	127.8853	-26.0995	180895	127.9352	-26.0678	180937	127.8873	-26.0708
180854	127.8874	-26.0983	180896	127.9347	-26.0674	180938	127.8872	-26.0704
180855	127.8875	-26.0982	180897	127.9345	-26.0672	180939	127.8868	-26.0698
180856	127.8881	-26.0978	180898	127.9336	-26.0668	180940	127.8864	-26.0693
180857	127.8882	-26.0977	180899	127.9327	-26.0665	180941	127.8864	-26.0692
180858	127.8886	-26.0974	180900	127.932	-26.0665	180942	127.8862	-26.069
180859	127.8887	-26.0972	180901	127.9317	-26.0664	180943	127.8859	-26.0688

## Department of Water and Environmental Regulation

ID	Longitude (l)	Latitude (l)	ID	Longitude (l)	Latitude (l)	ID	Longitude (l)	Latitude (l)
180944	127.8858	-26.0686	180986	127.9575	-26.0316	181028	127.8898	-26.0148
180945	127.8857	-26.0683	180987	127.9584	-26.0321	181029	127.8895	-26.0144
180946	127.8855	-26.0679	180988	127.9593	-26.0323	181030	127.8889	-26.0137
180947	127.8853	-26.0677	180989	127.9596	-26.0324	181031	127.8882	-26.0132
180948	127.8848	-26.0674	180990	127.9603	-26.0324	181032	127.8877	-26.0129
180949	127.8843	-26.0672	180991	127.9612	-26.0323	181033	127.8873	-26.0127
180950	127.884	-26.0671	180992	127.9619	-26.0328	181034	127.8864	-26.0125
180951	127.8839	-26.067	180993	127.966	-26.0325	181035	127.8854	-26.0124
180952	127.8837	-26.067	180994	127.9827	-26.032	181036	127.8844	-26.0125
180953	127.8841	-26.0669	180995	127.9826	-26.0175	181037	127.884	-26.0126
180954	127.8844	-26.0668	180996	127.9653	-26.0177	181038	127.8837	-26.0126
180955	127.8847	-26.0666	180997	127.9653	-25.9999	181039	127.8837	-26.0126
180956	127.8847	-26.0666	180998	127.9788	-25.9997	181040	127.8752	-26.0134
180957	127.9089	-26.0671	180999	127.9761	-25.9938	181041	127.8732	-26.0183
180958	127.906	-26.0625	181000	127.965	-25.9935	181042	127.8672	-26.0183
180959	127.8953	-26.0623	181001	127.9649	-25.9933	181043	127.8581	-26.0281
180960	127.8954	-26.0534	181002	127.9644	-25.9925	181044	127.8436	-26.0159
180961	127.9004	-26.0524	181003	127.9638	-25.9918	181045	127.8388	-26.0176
180962	127.9166	-26.0358	181004	127.9631	-25.9912	181046	127.8388	-26.0176
180963	127.9175	-26.0356	181005	127.9622	-25.9908	181047	127.8375	-26.0164
180964	127.9184	-26.0352	181006	127.9613	-25.9905	181048	127.8338	-26.0128
180965	127.9192	-26.0346	181007	127.9604	-25.9905	181049	127.8372	-25.9988
180966	127.9198	-26.0339	181008	127.9579	-25.9904	181050	127.8485	-25.9911
180967	127.9203	-26.0332	181009	127.957	-25.9904	181051	127.8485	-25.9841
180968	127.9205	-26.0323	181010	127.9674	-25.975	181052	127.8547	-25.9758
180969	127.9207	-26.0314	181011	127.9607	-25.9689	181053	127.8595	-25.9577
180970	127.9206	-26.0306	181012	127.944	-25.9823	181054	127.8532	-25.9563
180971	127.9204	-26.0301	181013	127.9349	-25.9849	181055	127.8507	-25.9659
180972	127.9269	-26.0207	181014	127.923	-25.9759	181056	127.8485	-25.9737
180973	127.9272	-26.0044	181015	127.9201	-25.9641	181057	127.8399	-25.9865
180974	127.9316	-26.003	181016	127.9214	-25.9601	181058	127.8286	-25.9954
180975	127.9331	-26.0025	181017	127.9152	-25.9581	181059	127.8307	-26.0097
180976	127.9351	-26.0018	181018	127.915	-25.9612	181060	127.8273	-26.017
180977	127.9553	-26.0144	181019	127.9122	-25.9854	181061	127.8322	-26.0216
180978	127.9553	-26.0273	181020	127.908	-25.9993	181062	127.8471	-26.0296
180979	127.9553	-26.0279	181021	127.9063	-26.005	181063	127.8488	-26.0356
180980	127.9554	-26.0288	181022	127.9045	-26.0035	181064	127.838	-26.0396
180981	127.9556	-26.0294	181023	127.8982	-26.0026	181065	127.8399	-26.0432
180982	127.9557	-26.0296	181024	127.8969	-26.0189	181066	127.842	-26.043
180983	127.9558	-26.0298	181025	127.894	-26.022	181067	127.8484	-26.0406
180984	127.9561	-26.0304	181026	127.8937	-26.0215	181068	127.8484	-26.0407
180985	127.9567	-26.0311	181027	127.8929	-26.0201	181069	127.8407	-26.0458

## Department of Water and Environmental Regulation

ID	Longitude (l)	Latitude (l)	ID	Longitude (l)	Latitude (l)	ID	Longitude (l)	Latitude (l)
181070	127.8365	-26.0487	181112	127.7899	-26.0841	181154	127.7663	-26.0907
181071	127.8363	-26.0488	181113	127.7899	-26.0841	181155	127.7662	-26.0906
181072	127.8342	-26.0502	181114	127.7899	-26.0841	181156	127.7661	-26.0906
181073	127.8335	-26.0506	181115	127.7899	-26.084	181157	127.766	-26.0906
181074	127.8325	-26.0513	181116	127.7899	-26.084	181158	127.7659	-26.0906
181075	127.8321	-26.0516	181117	127.7899	-26.084	181159	127.7658	-26.0906
181076	127.8315	-26.052	181118	127.7899	-26.084	181160	127.7656	-26.0906
181077	127.831	-26.0524	181119	127.7899	-26.084	181161	127.7655	-26.0906
181078	127.8304	-26.0528	181120	127.7899	-26.084	181162	127.7654	-26.0906
181079	127.8296	-26.0533	181121	127.7899	-26.0839	181163	127.7653	-26.0906
181080	127.8295	-26.0536	181122	127.7899	-26.0839	181164	127.7652	-26.0906
181081	127.829	-26.055	181123	127.7899	-26.0839	181165	127.7651	-26.0906
181082	127.8287	-26.0557	181124	127.7899	-26.0839	181166	127.765	-26.0906
181083	127.828	-26.0576	181125	127.7899	-26.0839	181167	127.7649	-26.0906
181084	127.828	-26.0625	181126	127.7899	-26.0839	181168	127.7648	-26.0906
181085	127.8283	-26.0646	181127	127.7899	-26.0839	181169	127.7647	-26.0906
181086	127.8284	-26.0657	181128	127.7899	-26.0839	181170	127.7646	-26.0906
181087	127.8286	-26.0667	181129	127.7898	-26.0839	181171	127.7645	-26.0906
181088	127.8293	-26.0678	181130	127.7898	-26.0838	181172	127.7645	-26.0906
181089	127.8293	-26.0678	181131	127.7898	-26.0838	181173	127.7638	-26.0907
181090	127.8274	-26.0682	181132	127.7898	-26.0838	181174	127.7611	-26.0911
181091	127.8274	-26.0682	181133	127.7898	-26.0838	181175	127.7608	-26.0912
181092	127.8274	-26.0682	181134	127.7898	-26.0838	181176	127.7606	-26.0909
181093	127.8234	-26.069	181135	127.7898	-26.0803	181177	127.7606	-26.0909
181094	127.8231	-26.0691	181136	127.7926	-26.0771	181178	127.7604	-26.0907
181095	127.8229	-26.0691	181137	127.7921	-26.0769	181179	127.7603	-26.0906
181096	127.8227	-26.0692	181138	127.7904	-26.0761	181180	127.7602	-26.0905
181097	127.819	-26.0703	181139	127.7831	-26.0727	181181	127.76	-26.0904
181098	127.8184	-26.0704	181140	127.7802	-26.0737	181182	127.7592	-26.0897
181099	127.818	-26.0706	181141	127.7783	-26.0743	181183	127.759	-26.0896
181100	127.8179	-26.0706	181142	127.7779	-26.0744	181184	127.7582	-26.0889
181101	127.8145	-26.0719	181143	127.7755	-26.0752	181185	127.7581	-26.0888
181102	127.8144	-26.072	181144	127.7745	-26.0755	181186	127.758	-26.0888
181103	127.8141	-26.0721	181145	127.7739	-26.076	181187	127.7579	-26.0887
181104	127.7944	-26.0823	181146	127.7699	-26.0794	181188	127.7579	-26.0887
181105	127.7942	-26.0824	181147	127.7682	-26.0831	181189	127.7578	-26.0886
181106	127.795	-26.0827	181148	127.7677	-26.0843	181190	127.7577	-26.0886
181107	127.7924	-26.0849	181149	127.7674	-26.0868	181191	127.7576	-26.0885
181108	127.7906	-26.0842	181150	127.7673	-26.088	181192	127.7576	-26.0885
181109	127.79	-26.0845	181151	127.767	-26.0908	181193	127.7575	-26.0884
181110	127.7899	-26.0841	181152	127.7664	-26.0907	181194	127.7574	-26.0884
181111	127.7899	-26.0841	181153	127.7664	-26.0907	181195	127.7573	-26.0883

## Department of Water and Environmental Regulation

ID	Longitude (l)	Latitude (l)	ID	Longitude (l)	Latitude (l)	ID	Longitude (l)	Latitude (l)
181196	127.7572	-26.0883	181238	127.7244	-26.0573	181280	127.7027	-25.99
181197	127.7571	-26.0883	181239	127.724	-26.0563	181281	127.7026	-25.9895
181198	127.757	-26.0882	181240	127.7231	-26.0542	181282	127.6996	-25.982
181199	127.7569	-26.0882	181241	127.7231	-26.0541	181283	127.699	-25.9804
181200	127.7568	-26.0881	181242	127.7231	-26.0541	181284	127.6966	-25.9768
181201	127.7567	-26.0881	181243	127.7217	-26.0509	181285	127.6957	-25.9754
181202	127.7566	-26.0881	181244	127.7186	-26.0508	181286	127.6924	-25.9721
181203	127.7565	-26.088	181245	127.7177	-26.0508	181287	127.692	-25.9718
181204	127.7564	-26.088	181246	127.7159	-26.0508	181288	127.6921	-25.9638
181205	127.7563	-26.088	181247	127.7122	-26.0508	181289	127.6871	-25.9581
181206	127.7562	-26.0879	181248	127.711	-26.0508	181290	127.683	-25.9552
181207	127.7561	-26.0879	181249	127.7105	-26.0508	181291	127.6763	-25.9536
181208	127.756	-26.0879	181250	127.7102	-26.0508	181292	127.6726	-25.9507
181209	127.7559	-26.0879	181251	127.7061	-26.0508	181293	127.665	-25.9453
181210	127.7558	-26.0879	181252	127.7062	-26.0505	181294	127.6648	-25.9451
181211	127.7557	-26.0878	181253	127.7065	-26.0493	181295	127.6623	-25.9427
181212	127.7556	-26.0878	181254	127.7067	-26.0487	181296	127.6625	-25.9388
181213	127.7554	-26.0878	181255	127.7067	-26.0487	181297	127.662	-25.9241
181214	127.7553	-26.0878	181256	127.7084	-26.0468	181298	127.662	-25.924
181215	127.7552	-26.0878	181257	127.7101	-26.0438	181299	127.6621	-25.9169
181216	127.7551	-26.0878	181258	127.7097	-26.039	181300	127.6621	-25.9167
181217	127.755	-26.0878	181259	127.7087	-26.0341	181301	127.6643	-25.9111
181218	127.7549	-26.0878	181260	127.7087	-26.034	181302	127.6647	-25.91
181219	127.7547	-26.0878	181261	127.7087	-26.034	181303	127.6667	-25.9038
181220	127.7522	-26.0879	181262	127.7093	-26.0317	181304	127.6674	-25.9018
181221	127.7501	-26.088	181263	127.7094	-26.0314	181305	127.6673	-25.9014
181222	127.748	-26.0873	181264	127.7106	-26.0289	181306	127.6682	-25.8989
181223	127.7472	-26.087	181265	127.712	-26.0259	181307	127.6683	-25.8987
181224	127.7443	-26.0861	181266	127.7127	-26.0245	181308	127.6683	-25.8985
181225	127.7434	-26.0858	181267	127.7132	-26.0196	181309	127.6684	-25.8984
181226	127.743	-26.0857	181268	127.7133	-26.0185	181310	127.6684	-25.8982
181227	127.7429	-26.0856	181269	127.7134	-26.0173	181311	127.6684	-25.898
181228	127.7427	-26.0856	181270	127.7126	-26.0151	181312	127.6684	-25.8978
181229	127.7398	-26.0848	181271	127.7115	-26.0122	181313	127.6685	-25.8976
181230	127.7382	-26.0844	181272	127.7114	-26.012	181314	127.6685	-25.8974
181231	127.7355	-26.0837	181273	127.7086	-26.0061	181315	127.6685	-25.8972
181232	127.7339	-26.0832	181274	127.7085	-26.0058	181316	127.6685	-25.8971
181233	127.7339	-26.0832	181275	127.7077	-26.0012	181317	127.6685	-25.8969
181234	127.734	-26.0805	181276	127.705	-25.9969	181318	127.6684	-25.8967
181235	127.7274	-26.0647	181277	127.7046	-25.9917	181319	127.6684	-25.8965
181236	127.7266	-26.0627	181278	127.7028	-25.99	181320	127.6684	-25.8963
181237	127.7261	-26.0613	181279	127.7027	-25.99	181321	127.6674	-25.8916

## Department of Water and Environmental Regulation

ID	Longitude (l)	Latitude (l)	ID	Longitude (l)	Latitude (l)	ID	Longitude (l)	Latitude (l)
181322	127.6674	-25.8914	181364	127.6508	-25.8753	181406	127.6653	-25.9014
181323	127.6673	-25.8913	181365	127.6509	-25.8754	181407	127.6654	-25.9017
181324	127.6673	-25.8911	181366	127.651	-25.8755	181408	127.6648	-25.9033
181325	127.6672	-25.8909	181367	127.6512	-25.8757	181409	127.6627	-25.9095
181326	127.6672	-25.8908	181368	127.6513	-25.8758	181410	127.6624	-25.9105
181327	127.6671	-25.8906	181369	127.6579	-25.8811	181411	127.6602	-25.9162
181328	127.667	-25.8904	181370	127.658	-25.8812	181412	127.6602	-25.9164
181329	127.6669	-25.8903	181371	127.6581	-25.8813	181413	127.6602	-25.9164
181330	127.6668	-25.8901	181372	127.6582	-25.8814	181414	127.6601	-25.9168
181331	127.6668	-25.89	181373	127.6583	-25.8815	181415	127.66	-25.924
181332	127.6667	-25.8898	181374	127.6584	-25.8816	181416	127.66	-25.9241
181333	127.6666	-25.8897	181375	127.6585	-25.8817	181417	127.6605	-25.9388
181334	127.665	-25.8876	181376	127.6586	-25.8818	181418	127.6603	-25.9429
181335	127.6648	-25.8872	181377	127.6586	-25.8819	181419	127.6603	-25.9432
181336	127.6603	-25.8809	181378	127.6649	-25.8906	181420	127.6603	-25.9434
181337	127.6602	-25.8807	181379	127.6649	-25.8907	181421	127.6604	-25.9436
181338	127.6601	-25.8806	181380	127.665	-25.8908	181422	127.6607	-25.9438
181339	127.66	-25.8804	181381	127.6651	-25.8909	181423	127.6634	-25.9464
181340	127.6598	-25.8803	181382	127.6651	-25.891	181424	127.6637	-25.9466
181341	127.6597	-25.8802	181383	127.6652	-25.8911	181425	127.6713	-25.9521
181342	127.6596	-25.88	181384	127.6652	-25.8913	181426	127.6751	-25.955
181343	127.6594	-25.8799	181385	127.6653	-25.8914	181427	127.6752	-25.9551
181344	127.6593	-25.8798	181386	127.6653	-25.8915	181428	127.6755	-25.9552
181345	127.6526	-25.8744	181387	127.6654	-25.8916	181429	127.6757	-25.9553
181346	127.6525	-25.8743	181388	127.6654	-25.8917	181430	127.6821	-25.9568
181347	127.6524	-25.8743	181389	127.6654	-25.8918	181431	127.6857	-25.9594
181348	127.6524	-25.8742	181390	127.6654	-25.8919	181432	127.6901	-25.9644
181349	127.6523	-25.8741	181391	127.6664	-25.8966	181433	127.69	-25.972
181350	127.6522	-25.874	181392	127.6664	-25.8968	181434	127.6901	-25.9723
181351	127.6521	-25.8739	181393	127.6664	-25.8969	181435	127.6901	-25.9725
181352	127.652	-25.8738	181394	127.6665	-25.897	181436	127.6902	-25.9727
181353	127.6519	-25.8737	181395	127.6665	-25.8971	181437	127.6904	-25.9729
181354	127.6519	-25.8736	181396	127.6665	-25.8973	181438	127.6909	-25.9733
181355	127.6518	-25.8735	181397	127.6665	-25.8974	181439	127.6941	-25.9764
181356	127.6507	-25.8717	181398	127.6665	-25.8975	181440	127.6949	-25.9777
181357	127.6489	-25.8726	181399	127.6665	-25.8976	181441	127.6972	-25.9812
181358	127.6501	-25.8744	181400	127.6664	-25.8978	181442	127.6977	-25.9826
181359	127.6502	-25.8745	181401	127.6664	-25.8979	181443	127.7007	-25.9901
181360	127.6503	-25.8747	181402	127.6664	-25.898	181444	127.7009	-25.9907
181361	127.6504	-25.8748	181403	127.6664	-25.8981	181445	127.7011	-25.9909
181362	127.6505	-25.875	181404	127.6663	-25.8982	181446	127.7013	-25.9912
181363	127.6506	-25.8751	181405	127.6663	-25.8984	181447	127.7026	-25.9924



## Department of Water and Environmental Regulation

ID	Longitude (l)	Latitude (l)	ID	Longitude (l)	Latitude (l)	ID	Longitude (l)	Latitude (l)
181448	127.703	-25.9971	181490	127.6763	-26.0506	181532	127.6937	-26.1369
181449	127.703	-25.9972	181491	127.6729	-26.0506	181533	127.6938	-26.137
181450	127.7031	-25.9975	181492	127.672	-26.0506	181534	127.694	-26.1373
181451	127.7032	-25.9977	181493	127.6715	-26.0506	181535	127.6941	-26.1374
181452	127.7058	-26.0018	181494	127.6715	-26.051	181536	127.6943	-26.1376
181453	127.7066	-26.0062	181495	127.6714	-26.0624	181537	127.6943	-26.1377
181454	127.7067	-26.0067	181496	127.6713	-26.0763	181538	127.6953	-26.1387
181455	127.7096	-26.0127	181497	127.6712	-26.0799	181539	127.6966	-26.1403
181456	127.7096	-26.0128	181498	127.6712	-26.0865	181540	127.7007	-26.1448
181457	127.7107	-26.0157	181499	127.6711	-26.0878	181541	127.7034	-26.1583
181458	127.7114	-26.0175	181500	127.6711	-26.0886	181542	127.7035	-26.1585
181459	127.7113	-26.0184	181501	127.6711	-26.0948	181543	127.7035	-26.1586
181460	127.7112	-26.0194	181502	127.6711	-26.0973	181544	127.7036	-26.1588
181461	127.7107	-26.024	181503	127.671	-26.0984	181545	127.7036	-26.1589
181462	127.7102	-26.0252	181504	127.6714	-26.1041	181546	127.7037	-26.1591
181463	127.7088	-26.0282	181505	127.6712	-26.1174	181547	127.7037	-26.1593
181464	127.7075	-26.0308	181506	127.6734	-26.1201	181548	127.709	-26.1717
181465	127.7074	-26.0312	181507	127.6792	-26.1241	181549	127.709	-26.1718
181466	127.7068	-26.0337	181508	127.6842	-26.1265	181550	127.7091	-26.1719
181467	127.7067	-26.034	181509	127.6855	-26.1272	181551	127.7091	-26.172
181468	127.7067	-26.0343	181510	127.6872	-26.128	181552	127.7092	-26.1721
181469	127.7077	-26.0392	181511	127.6894	-26.129	181553	127.7092	-26.1722
181470	127.7081	-26.0434	181512	127.6899	-26.1294	181554	127.7092	-26.1724
181471	127.7067	-26.0458	181513	127.6899	-26.1295	181555	127.7092	-26.1725
181472	127.7051	-26.0477	181514	127.6899	-26.1295	181556	127.7092	-26.1726
181473	127.705	-26.0477	181515	127.6909	-26.1316	181557	127.7093	-26.1727
181474	127.7049	-26.048	181516	127.6911	-26.1321	181558	127.7093	-26.1729
181475	127.7048	-26.0481	181517	127.6922	-26.1344	181559	127.7093	-26.173
181476	127.7046	-26.0488	181518	127.6922	-26.1344	181560	127.7093	-26.1731
181477	127.7042	-26.0501	181519	127.6923	-26.1347	181561	127.7093	-26.1732
181478	127.7042	-26.0501	181520	127.6924	-26.1348	181562	127.7092	-26.1733
181479	127.7041	-26.0508	181521	127.6925	-26.1351	181563	127.7092	-26.1735
181480	127.7002	-26.0507	181522	127.6926	-26.1352	181564	127.7092	-26.1736
181481	127.6992	-26.0507	181523	127.6927	-26.1355	181565	127.7079	-26.1801
181482	127.6978	-26.0507	181524	127.6928	-26.1356	181566	127.7079	-26.1802
181483	127.695	-26.0507	181525	127.693	-26.1358	181567	127.7079	-26.1804
181484	127.693	-26.0507	181526	127.693	-26.136	181568	127.7079	-26.1806
181485	127.6915	-26.0507	181527	127.6931	-26.1361	181569	127.7079	-26.1808
181486	127.6909	-26.0507	181528	127.6932	-26.1362	181570	127.7078	-26.181
181487	127.6857	-26.0506	181529	127.6933	-26.1363	181571	127.7079	-26.1812
181488	127.681	-26.0506	181530	127.6934	-26.1366	181572	127.7079	-26.1813
181489	127.6784	-26.0506	181531	127.6935	-26.1367	181573	127.7079	-26.1815

## Department of Water and Environmental Regulation

ID	Longitude (I)	Latitude (I)	ID	Longitude (I)	Latitude (I)
181574	127.7079	-26.1817	616	127.7141	-26.209
181575	127.7079	-26.1819	181617	127.714	-26.2107
181576	127.708	-26.1821	181618	127.714	-26.2122
181577	127.708	-26.1823	181619	127.7139	-26.2125
181578	127.7081	-26.1824	181620	127.7139	-26.2127
181579	127.7081	-26.1826	181621	127.7138	-26.2161
181580	127.7082	-26.1828	181622	127.7138	-26.2162
181581	127.7083	-26.183	181623	127.7138	-26.2162
181582	127.7083	-26.1831	181624	127.7138	-26.2176
181583	127.7121	-26.1911	181625	127.7138	-26.2197
181584	127.7122	-26.1912	181626	127.7138	-26.2208
181585	127.7123	-26.1914	181627	127.7113	-26.222
181586	127.7124	-26.1916	181628	127.7113	-26.2243
181587	127.7125	-26.1917	181629	127.7102	-26.2243
181588	127.7126	-26.1919	181630	127.709	-26.2243
181589	127.7127	-26.1921	181631	127.7054	-26.2243
181590	127.7128	-26.1922			
181591	127.7154	-26.1953			
181592	127.7085	-26.1952			
181593	127.7082	-26.1952			
181594	127.7076	-26.1952			
181595	127.7071	-26.1954			
181596	127.7067	-26.1956			
181597	127.7063	-26.1958			
181598	127.706	-26.1962			
181599	127.7057	-26.1966			
181600	127.7056	-26.197			
181601	127.7055	-26.1974			
181602	127.7056	-26.1979			
81603	127.7057	-26.1983			
181604	127.7059	-26.1987			
181605	127.7063	-26.199			
181606	127.7066	-26.1993			
181607	127.7071	-26.1995			
181608	127.7075	-26.1997			
181609	127.7081	-26.1997			
181610	127.7145	-26.1998			
181611	127.7144	-26.2032			
181612	127.7143	-26.2048			
181613	127.7143	-26.2057			
181614	127.7142	-26.2067			
181615	127.7142	-26.208			

Department of Water and Environmental Regulation